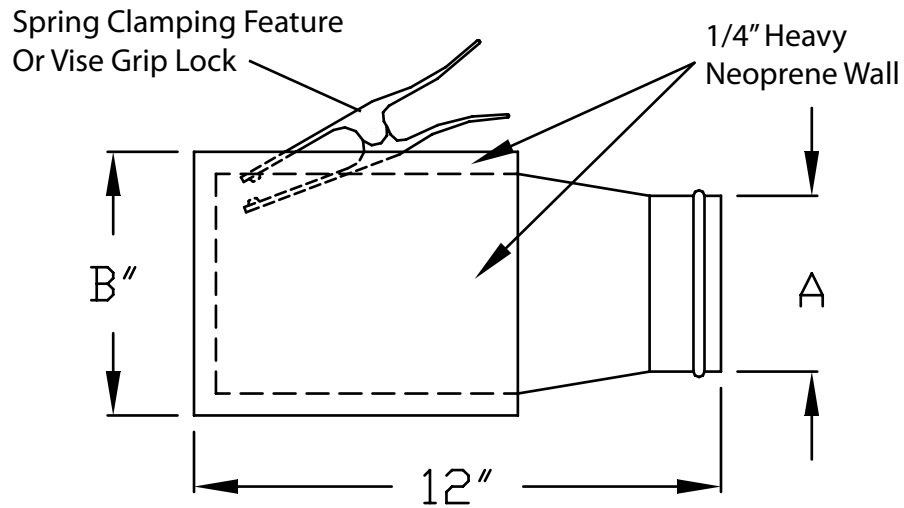


CLAMPING TAILPIPE NOZZLE



- A** - Available in 4", 5", 6", or 8"
B - 6" Mouth for the 8000 Series
C - 8" Mouth for the 8080 Series

Inner Body and Tapered End Constructed of 20-Gauge Galvanized Steel
Main Outer Body Constructed of 600 Degree EPDM Rubber - 1/4" Wall

NOTE: 8000 Series Nozzles can be supplied with screen and Locking Hand Damper as optional accessories. The screen is used as a catch guard, keeping out debris. The Locking Hand Damper is used to close off the air supply to the nozzle when the nozzle is not in use.

NOTE: 8000 Series Nozzles can also be provided with optional handles, lifting sleeves, etc.