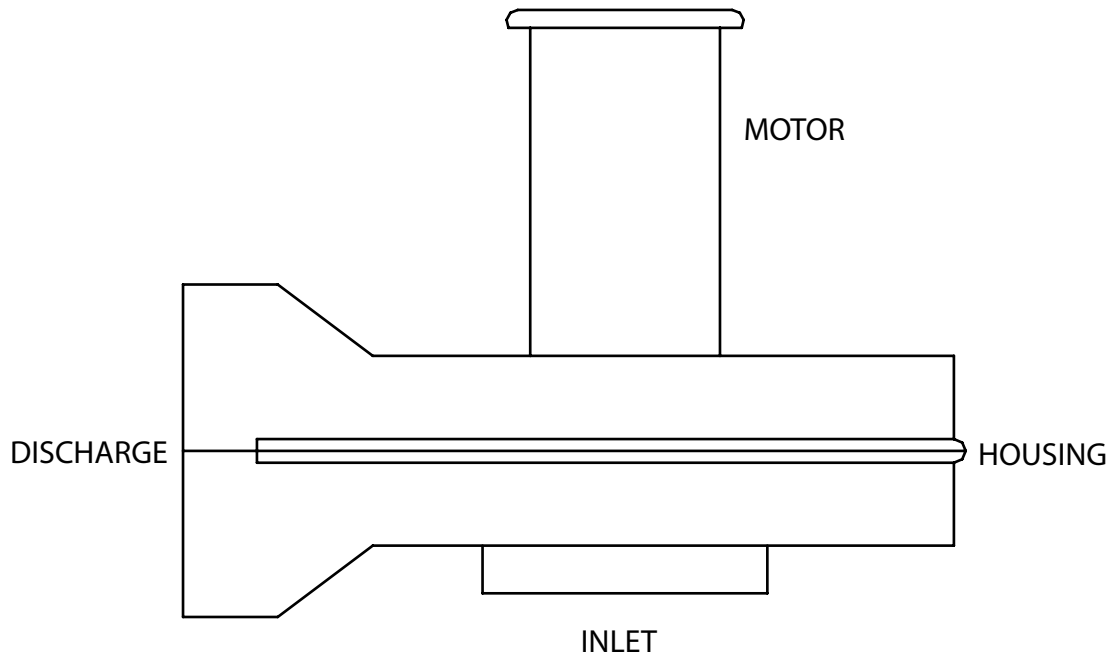


PROJECT: _____
LOCATION: _____
ARCHITECT: _____
ENGINEER: _____
SALES ENGINEER: _____
DATE: _____

DIRECT DRIVE BLOWERS - D-SERIES

The D Series Blower is a high-quality pressure style unit. The construction is of cast aluminum for the housing and the wheel. The motor is TEFC and is both UL and CSA approved.

The D-Series Blower is made in the USA.



** Housings and wheels are available, less motors.*