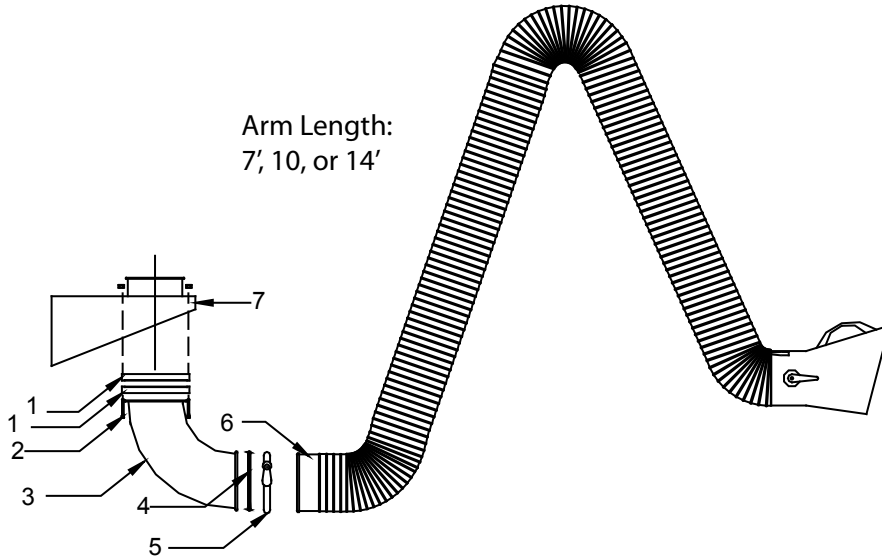


**SERIES 15000 - HOSE DIAMETER: 6" or 8"**

Wall/Column Mount Bracket Components:

Arm Length:  
7', 10', or 14'

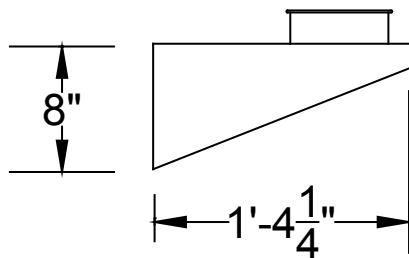


1. Swivel collar
2. Mounting bolts - through collar and attaches to wall bracket
3. Swivel flanged elbow
4. Flange gasket
5. Flange clamp
6. Internal arm mounting sleeve and pivot joint
7. Wall Bracket with flanged mounting collar



Wall/Column Mount Bracket Dimensions - Side View (Below Left) and Back View (Below Right):

SIDE VIEW



BACK VIEW

