



Portable Vertical Stack Cane
 Series: PVSC-T/Fan Eliminator
 (Truck Model with Fan)

**TECHNICAL
 INFORMATION**

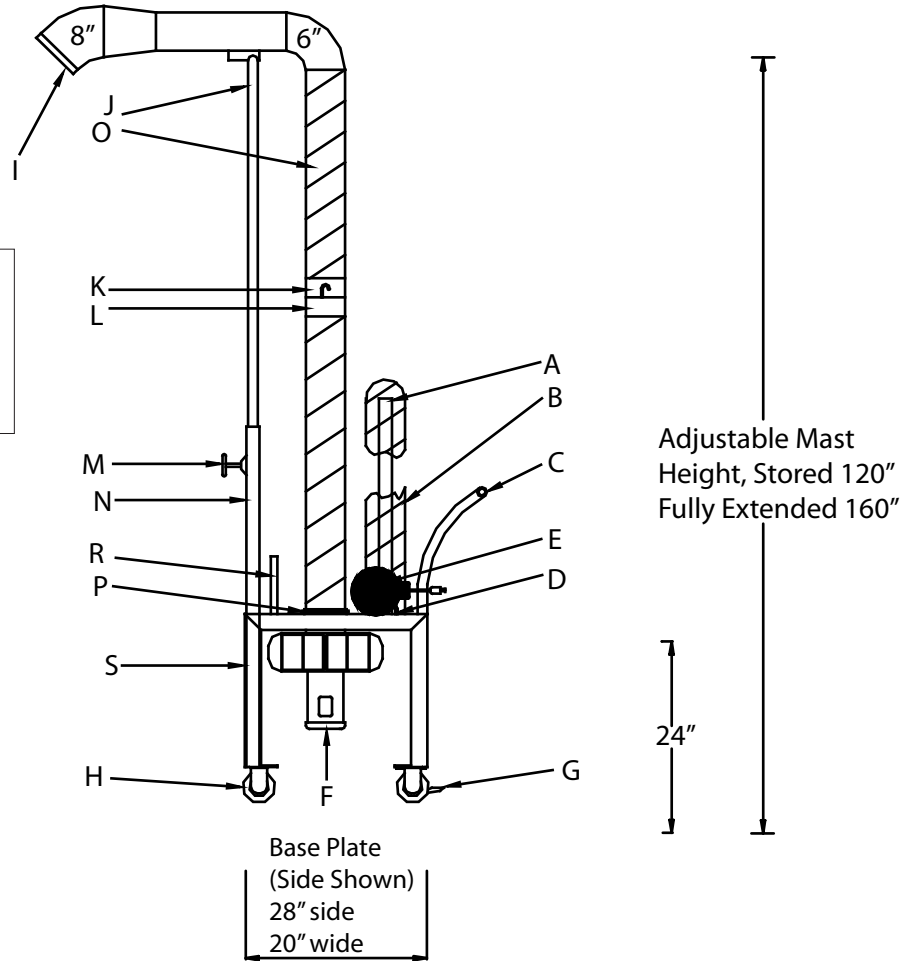
PROJECT: _____
 LOCATION: _____
 ARCHITECT: _____
 ENGINEER: _____
 SALES ENGINEER: _____
 DATE: _____

www.monoxivent.com

info@monoxivent.com

309-794-1000

Page: PVSC-5



A - Discharge Hose Storage Mast; B - 25' x 6" High Compression Discharge Hose (Series 7300); C - Push Handle; D - Fan On/Off Heavy Duty Switch; E - 45' Power Cord with Plug. Note, power cord stored on a lock and latch spring retractor assembly; F - TEFC 1.5 HP, 1 Phase, 3450 RPM Blower. Aluminum Wheel and Housing.; G - Foot Brake; H - 5" Solid Hard Rubber Wheels. Two Fixed and Two Swivel.; I - Vertical Stack Nozzle, with 8" Mouth Opening.; J - Upper Telescoping Nozzle Mast - 1 7/8" Galvanized Tube.; K - Female Quick Release Coupler, for Mast Hose.; L - Male Quick Release Coupler, for

Mast Hose; M - Upper Mast Height Adjustment, Locking Mechanism; N - Lower Telescoping Nozzle Mast, 2" Galvanized Tube; O - 6" High Compression Inlet Hose, 600-Degree, Series 7600.; P - 180-Degree Blower, Swivel Fitting - Allows the Fan Discharge to Rotate in the Direction that the Discharge Hose Must Exit; R - Nozzle Storage Mast (For Storage of the Optional 8006-VG Under Chassis Nozzle); S - 3/16" Steel Base Plate Assembly. Laser Cut and Machine Bent. Powder Coat Finish.

Blower Performance:

Model	HP	1"	2"	3"	4"	5"	6"	7"
D15	1.5	965	910	840	780	675	550	330

* This blower is constructed of aluminum (housing and wheel). The wheel is of a radial type. The motor is a TEFC Baldor - UL and CSA rated. Motor: 3450 RPM.