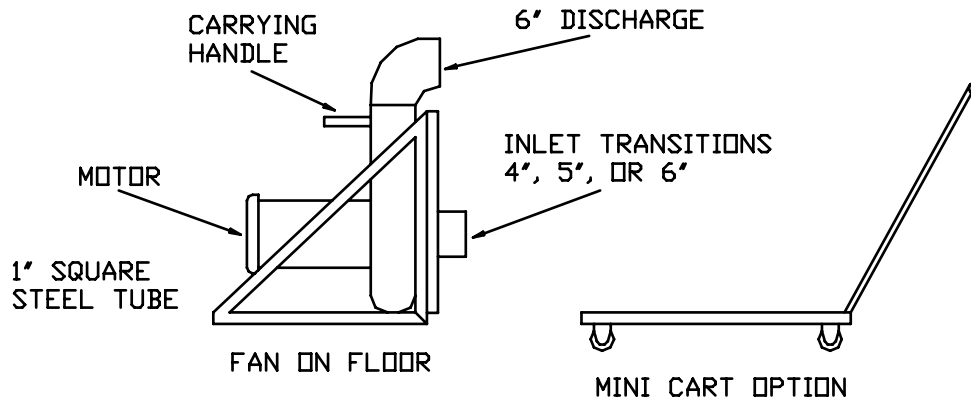
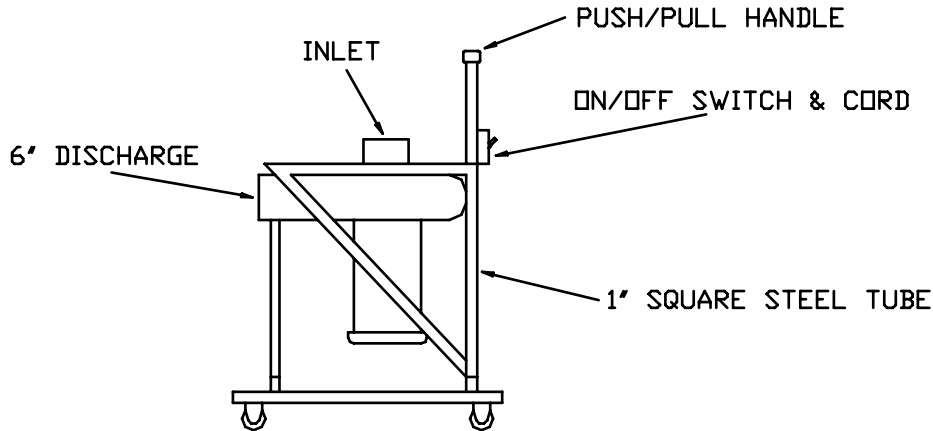


PORTABLE EXHAUSTER • SERIES - PE

The Series PE is available as either a "carry type" exhauster or with a simple pull cart. The PE is available with a variety of different hose types, lengths, and diameters. The PE is commonly used for welding exhaust, vehicle exhaust, and light dust applications, plus more. The PE blower is constructed with an aluminum wheel and housing and is available in horsepower ranging from 1/2 HP to 3 HP. All PE units are custom designed per the required application.



The PE is available as a "roll around unit." The roll around PE is supplied with a 1" square tube, heavy steel base, caster wheels (different options are available depending on floor type and application), blower is constructed with an aluminum wheel and housing, with horsepower ranging from 1/2 to 3. Depending on the application, the PE unit can be supplied with a variety of inlet options - ranging from articulating arms to simple hose drops. A hose carrying rack can be supplied as an option to the PE unit.



DIFFERENT STYLE WHEELS AVAILABLE BASED UPON
FLOOR CONDITIONS