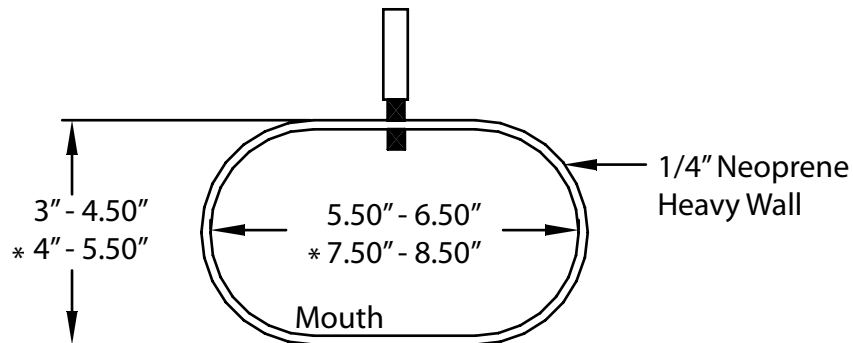
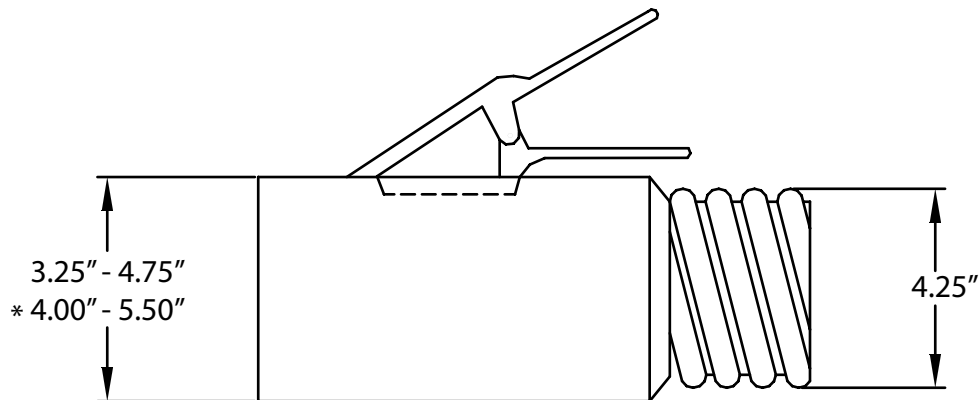


**23827 - SC - OVAL MOUTH CLAMPING ADAPTER**  
**23828 - SC - LARGE OVAL MOUTH CLAMPING ADAPTER - SEE\***

\* Large Mouth  
Available, Model: 23828

The Monoxivent oval mouth clamping tailpipe adapter is constructed of 600-degree neoprene rubber. The adapter is supplied with a spring tension clamping device. The spring clamp is attached to the adapter body, allowing for a positive and simple connection and for removal from the vehicle exhaust pipe. The oval mouth design allows the adapter to fit many side by side pipes as well as single exhaust pipes. The 23827-SC is an excellent all around adapter for automobiles, vans, and pick-up trucks. The mouth and body may be compressed, as shown by the dimensions above.

(Optional Spring Hinged Damper Available)