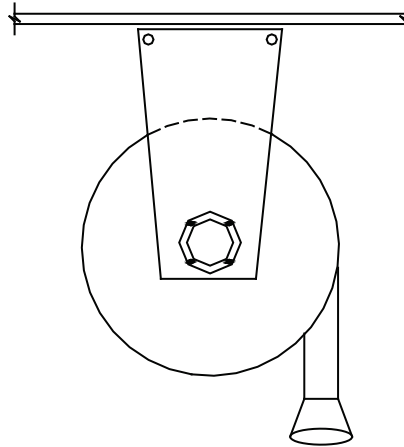
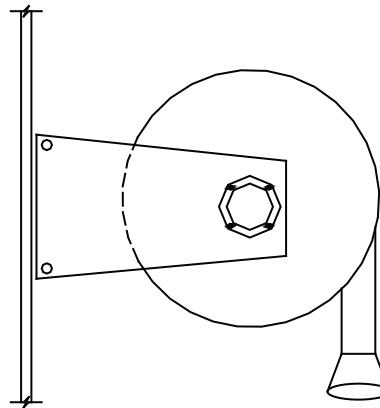


A - MOUNT FROM OVERHEAD  
SUPPORT STRUCTURE



B - MOUNT FROM SIDE  
SUPPORT STRUCTURE



C - MOUNT ON FLOOR OR  
ON TOP OF OVERHEAD  
SUPPORT STRUCTURE

