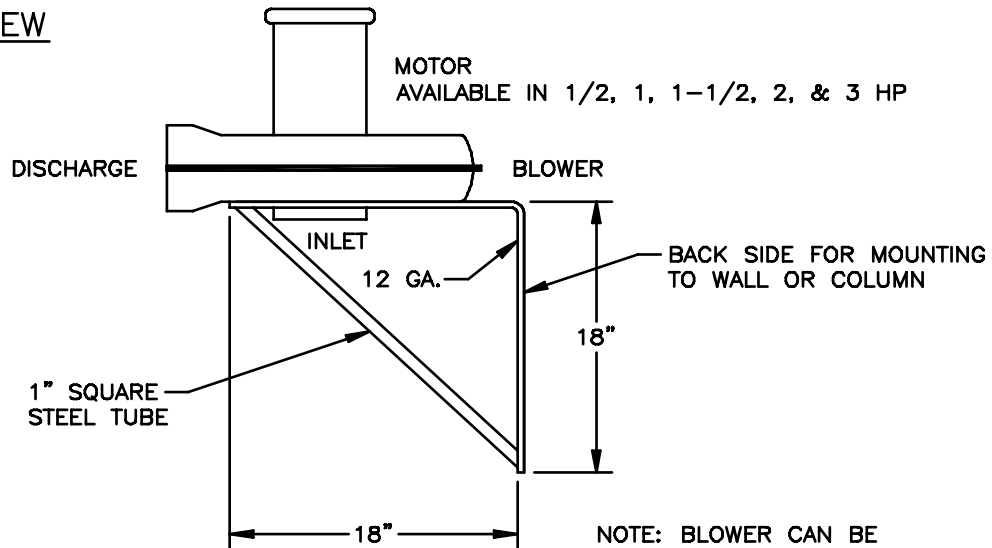
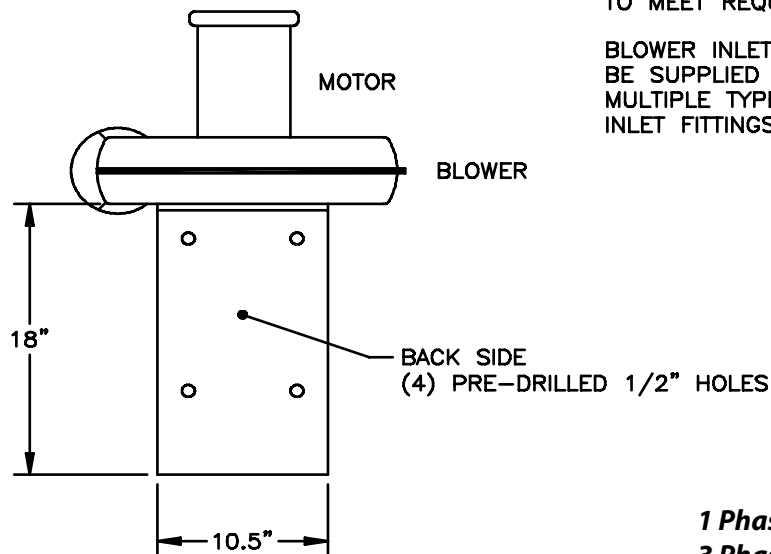


SIDE VIEW



BACK VIEW



1 Phase: 115/208/230 Volt
3 Phase: 208/230/460 Volt

NOTE: Blower can be rotated (360 degrees) in 90 degree increments, allowing discharge to meet requirements.

NOTE: Blower inlet can be supplied with multiple inlet fittings.

* Please contact factory with your given application.