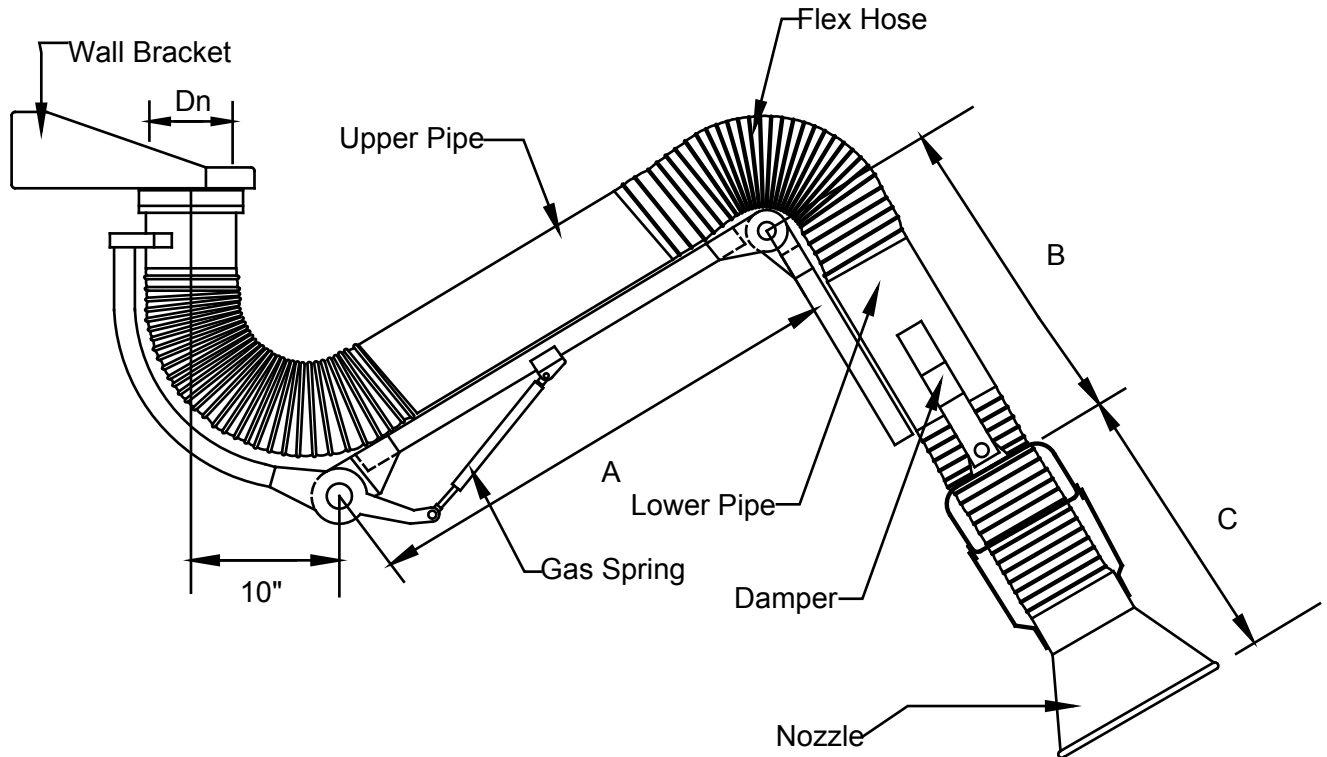


15000-TT, 7' Model Shown
Available 6" or 8" Standard



| Model | A | B | C | Dn | Description |
|--------------|----------|----------|----------|-----------|-----------------------|
| 15076-TT | 37.3" | 22.8" | 21.0" | 6" | 7' x 6" Tube Type Arm |
| 15078-TT | 37.3" | 22.8" | 21.4" | 8" | 7' x 8" Tube Type Arm |

Arms also available in 4" or 5" diameter

Contact factory for bench-top mount, other configurations

