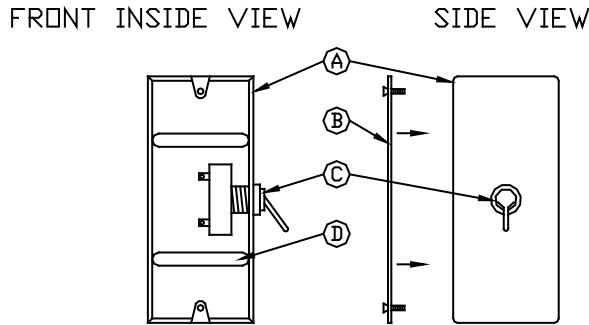
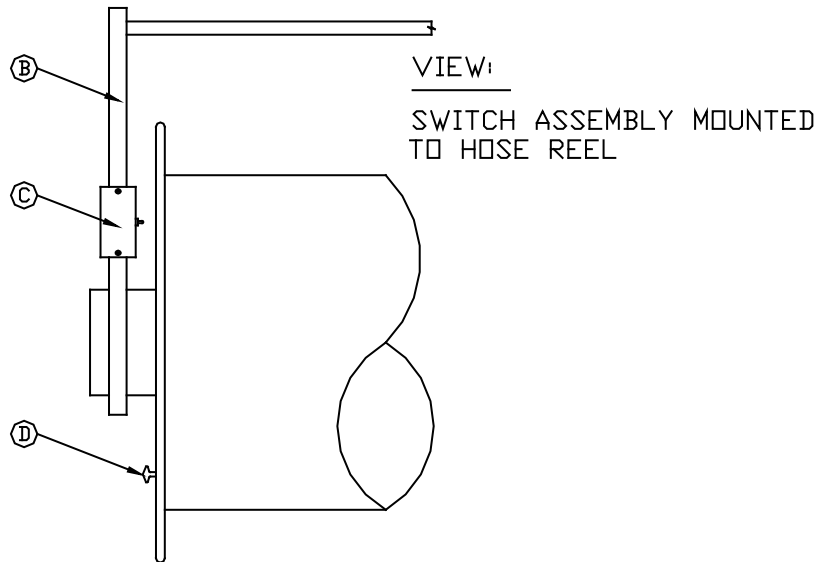


ON/OFF DMSHR SWITCH IS AN OPTION



ON/OFF DMSHR SWITCH ASSEMBLY MODEL # DMSHR



A. Sealed Mounting Box
D. (2) Slot Cuts for Adjustment
of Box Depth
G. Buffer Pad for Activating
the On/Off Toggle

B. Box Cover Plate
E. H-Reel Support
Mounting Frame

C. On/Off Toggle Switch
F. On/Off Switch Control Assembly