



Belt Drive Backward  
Incline Fans

**SERIES BI - 100**

**TECHNICAL  
INFORMATION**

PROJECT: \_\_\_\_\_  
 LOCATION: \_\_\_\_\_  
 ARCHITECT: \_\_\_\_\_  
 ENGINEER: \_\_\_\_\_  
 SALES ENGINEER: \_\_\_\_\_  
 DATE: \_\_\_\_\_

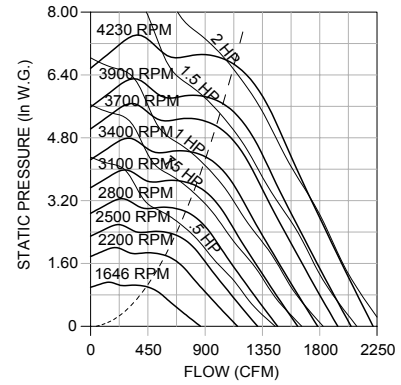
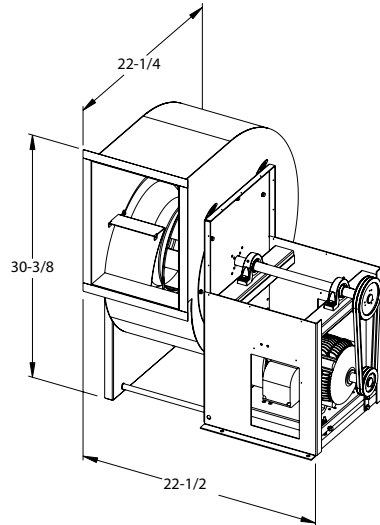
www.monoxivent.com

info@monoxivent.com

309-794-1000

Page: EF-15

Wheel Diameter - 10"  
 Wheel Type - Flatblade  
 Tip Speed (FPM) = 2.62 x RPM  
 Max. BHP = .027 x (RPM/1000)  
 Inlet Area - .61 Sq. Ft.  
 Outlet Area - .57 Sq. Ft.  
 Outlet Velocity (FPM) = CFM/.57  
 Max. Mtr. Frame Size - 145T, Arr. 10  
 Approx. Shipping Weight  
 BI-100 - 173 lbs.



| CFM  | OV   | 1.000 SP |      | 1.250 SP |      | 1.500 SP |      | 1.750 SP |      | 2.000 SP |      | 2.500 SP |      | 3.000 SP |      | 3.500 SP |      | 4.000 SP |      | 4.500 SP |      | 5.000 SP |      |
|------|------|----------|------|----------|------|----------|------|----------|------|----------|------|----------|------|----------|------|----------|------|----------|------|----------|------|----------|------|
|      |      | RPM      | BHP  | RPM      | BHP  | RPM      | BHP  | RPM      | BHP  | RPM      | BHP  | RPM      | BHP  | RPM      | BHP  | RPM      | BHP  | RPM      | BHP  | RPM      | BHP  | RPM      | BHP  |
| 450  | 783  | 1646     | .12  |          |      |          |      |          |      |          |      |          |      |          |      |          |      |          |      |          |      |          |      |
| 550  | 957  | 1739     | .15  | 1877     | .18  | 2015     | .22  |          |      |          |      |          |      |          |      |          |      |          |      |          |      |          |      |
| 650  | 1131 | 1872     | .18  | 1987     | .22  | 2103     | .26  | 2220     | .30  | 2338     | .35  |          |      |          |      |          |      |          |      |          |      |          |      |
| 750  | 1305 | 2023     | .23  | 2128     | .27  | 2227     | .31  | 2327     | .35  | 2428     | .40  | 2631     | .50  |          |      |          |      |          |      |          |      |          |      |
| 850  | 1479 | 2177     | .28  | 2280     | .33  | 2373     | .37  | 2462     | .42  | 2550     | .47  | 2726     | .57  | 2906     | .68  | 3085     | .80  |          |      |          |      |          |      |
| 950  | 1653 | 2333     | .34  | 2434     | .39  | 2526     | .44  | 2612     | .50  | 2693     | .55  | 2851     | .65  | 3008     | .77  | 3168     | .89  | 3329     | 1.02 |          |      |          |      |
| 1050 | 1827 | 2492     | .40  | 2589     | .46  | 2680     | .52  | 2766     | .58  | 2845     | .64  | 2993     | .75  | 3135     | .87  | 3277     | .99  | 3422     | 1.12 | 3567     | 1.26 | 3712     | 1.41 |
| 1150 | 2002 | 2654     | .49  | 2748     | .54  | 2836     | .60  | 2920     | .67  | 2999     | .73  | 3144     | .86  | 3278     | .99  | 3408     | 1.11 | 3538     | 1.25 | 3668     | 1.39 | 3801     | 1.54 |
| 1250 | 2176 | 2820     | .58  | 2909     | .64  | 2995     | .70  | 3075     | .77  | 3153     | .84  | 3298     | .98  | 3429     | 1.12 | 3553     | 1.26 | 3673     | 1.39 | 3791     | 1.53 | 3911     | 1.68 |
| 1350 | 2350 | 2987     | .70  | 3073     | .76  | 3156     | .82  | 3234     | .89  | 3310     | .96  | 3452     | 1.11 | 3583     | 1.26 | 3704     | 1.41 | 3819     | 1.56 | 3930     | 1.71 | 4040     | 1.86 |
| 1450 | 2524 | 3157     | .82  | 3239     | .89  | 3319     | .95  | 3395     | 1.02 | 3469     | 1.09 | 3608     | 1.25 | 3737     | 1.41 | 3857     | 1.58 | 3970     | 1.74 | 4078     | 1.90 | 4182     | 2.05 |
| 1550 | 2698 | 3328     | .96  | 3408     | 1.03 | 3485     | 1.10 | 3559     | 1.17 | 3630     | 1.25 | 3765     | 1.40 | 3891     | 1.57 | 4011     | 1.75 | 4123     | 1.93 | 4229     | 2.10 |          |      |
| 1650 | 2872 | 3501     | 1.12 | 3579     | 1.20 | 3653     | 1.27 | 3724     | 1.35 | 3793     | 1.42 | 3924     | 1.58 | 4048     | 1.75 | 4166     | 1.94 |          |      |          |      |          |      |
| 1750 | 3046 | 3677     | 1.29 | 3751     | 1.38 | 3822     | 1.46 | 3891     | 1.54 | 3958     | 1.62 | 4085     | 1.78 | 4206     | 1.95 |          |      |          |      |          |      |          |      |
| 1850 | 3220 | 3851     | 1.48 | 3924     | 1.58 | 3993     | 1.66 | 4059     | 1.75 | 4124     | 1.83 |          |      |          |      |          |      |          |      |          |      |          |      |
| 1950 | 3394 | 4030     | 1.69 | 4099     | 1.79 | 4166     | 1.89 | 4231     | 1.98 |          |      |          |      |          |      |          |      |          |      |          |      |          |      |

Performance certified is for installation type B: Free inlet, Ducted outlet. Power rating (BHP) does not include transmission losses. Performance ratings do not include the effects of appurtenances (accessories).