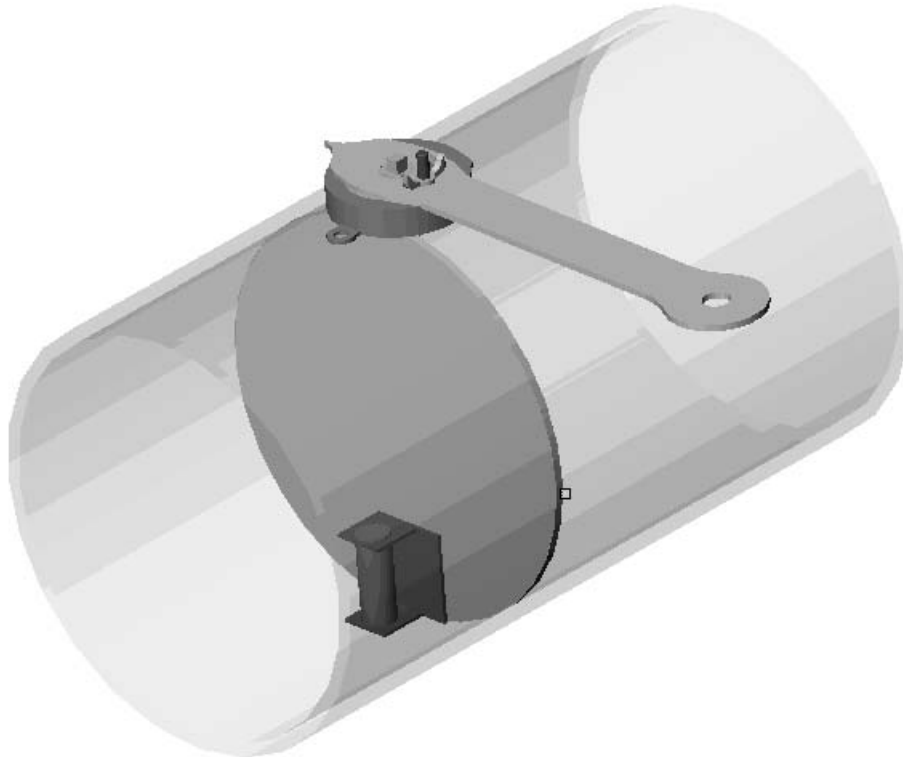


LOCKING HAND DAMPER



Locking hand dampers may be used for many applications. The dampers may be used on vehicle exhaust adapters and nozzles, welding cone nozzles, hard duct, or may be spliced into fabric duct.

The locking hand damper is used to shut off air supply to an extraction system that is not in use. The dampers may be provided in many diameters.

<u>Model Number</u>	<u>Diameter</u>
LHD-40	4"
LHD-50	5"
LHD-60	6"
LHD-80	8"

* Other diameters are available. The above diameters are most common.

* Construction: 20-Gauge Stainless Steel.