



Belt Drive Backward  
Incline Fans

**SERIES BI - 120**

**TECHNICAL  
INFORMATION**

PROJECT: \_\_\_\_\_  
 LOCATION: \_\_\_\_\_  
 ARCHITECT: \_\_\_\_\_  
 ENGINEER: \_\_\_\_\_  
 SALES ENGINEER: \_\_\_\_\_  
 DATE: \_\_\_\_\_

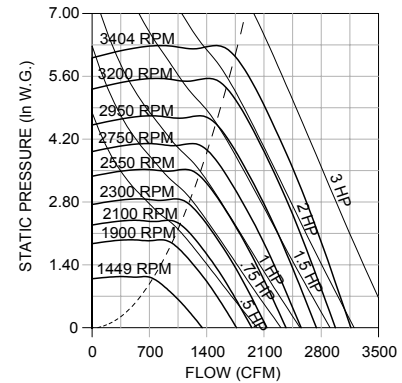
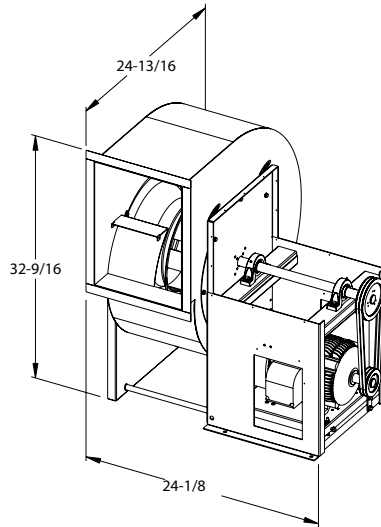
www.monoxivent.com

info@monoxivent.com

309-794-1000

Page: EF-16

Wheel Diameter - 12"  
 Wheel Type - Flatblade  
 Tip Speed (FPM) = 3.21 x RPM  
 Max. BHP = .056 x (RPM/1000)<sup>3</sup>  
 Inlet Area - .92 Sq. Ft.  
 Outlet Area - .84 Sq. Ft.  
 Outlet Velocity (FPM) = CFM/.84  
 Max. Mtr. Frame Size - 184T, Arr. 10  
 Approx. Shipping Weight  
 BI-120 - 221 lbs.



Do not select to left of dotted curve.

CFM	OV	1.000 SP		1.250 SP		1.500 SP		1.750 SP		2.000 SP		2.500 SP		3.000 SP		3.500 SP		4.000 SP		4.500 SP		5.000 SP	
		RPM	BHP	RPM	BHP	RPM	BHP	RPM	BHP	RPM	BHP	RPM	BHP	RPM	BHP	RPM	BHP	RPM	BHP	RPM	BHP	RPM	BHP
825	985	1449	.18	1563	.22	1738	.31	1836	.36														
950	1134	1534	.22	1638	.26	1738	.31	1817	.36	1906	.41	1994	.47										
1075	1283	1627	.26	1724	.31	1817	.36	1905	.41	1989	.47	2070	.53	2228	.65								
1200	1433	1724	.31	1817	.36	1905	.41	1999	.48	2079	.54	2156	.60	2304	.73	2447	.86						
1325	1582	1826	.36	1915	.42	1999	.48	2079	.54	2156	.60	2304	.73	2447	.86								
1450	1731	1933	.43	2016	.49	2096	.55	2173	.61	2247	.68	2388	.81	2523	.96	2654	1.10	2783	1.26				
1575	1880	2044	.50	2122	.57	2198	.63	2271	.70	2342	.77	2478	.91	2607	1.06	2731	1.21	2851	1.37	2971	1.54		
1700	2030	2157	.58	2231	.65	2302	.72	2373	.80	2441	.87	2572	1.02	2696	1.17	2815	1.33	2930	1.50	3042	1.67	3153	1.85
1825	2179	2273	.67	2342	.75	2411	.82	2477	.90	2543	.98	2669	1.14	2789	1.30	2904	1.47	3015	1.64	3122	1.82	3227	2.00
1950	2328	2391	.78	2457	.86	2522	.94	2585	1.02	2647	1.10	2769	1.27	2885	1.44	2997	1.61	3104	1.79	3208	1.98	3308	2.16
2075	2477	2511	.89	2574	.98	2636	1.06	2696	1.15	2755	1.23	2871	1.41	2984	1.59	3092	1.77	3197	1.96	3297	2.15		
2200	2627	2632	1.02	2692	1.11	2752	1.20	2809	1.29	2866	1.38	2977	1.56	3085	1.75	3190	1.94	3292	2.14				
2325	2776	2755	1.15	2813	1.25	2869	1.35	2924	1.44	2978	1.54	3085	1.73	3189	1.93	3291	2.13						
2450	2925	2878	1.31	2933	1.41	2987	1.51	3040	1.61	3093	1.71	3195	1.91	3296	2.12								
2575	3074	3002	1.47	3056	1.58	3108	1.68	3159	1.79	3209	1.90	3307	2.11										
2700	3224	3128	1.65	3179	1.76	3229	1.88	3279	1.99	3327	2.10												
2825	3373	3253	1.85	3303	1.96	3352	2.08																
2950	3522	3381	2.06																				