



360-degree Swivel Series
(Part Number: SCF)

TECHNICAL INFORMATION

PROJECT: _____
LOCATION: _____
ARCHITECT: _____
ENGINEER: _____
SALES ENGINEER: _____
DATE: _____

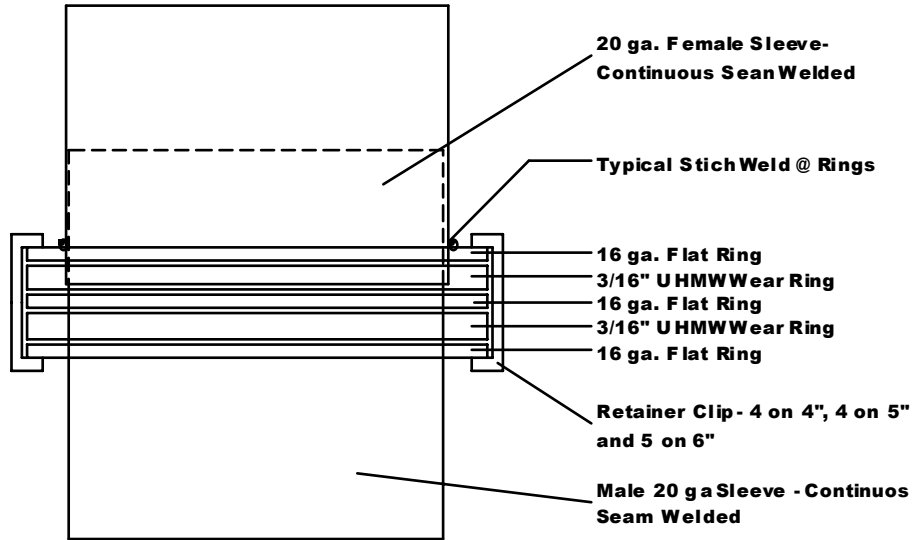
www.monoxivent.com

info@monoxivent.com

309-794-1000

Page: AC-19

SWIVEL CONNECTION FITTING: SCF - 4", 5", 6", 7", 8", 10"



CONSTRUCTION: 304 Stainless Steel

