



Belt Drive Backward
Incline Fans

SERIES BI - 180

**TECHNICAL
INFORMATION**

PROJECT: _____
 LOCATION: _____
 ARCHITECT: _____
 ENGINEER: _____
 SALES ENGINEER: _____
 DATE: _____

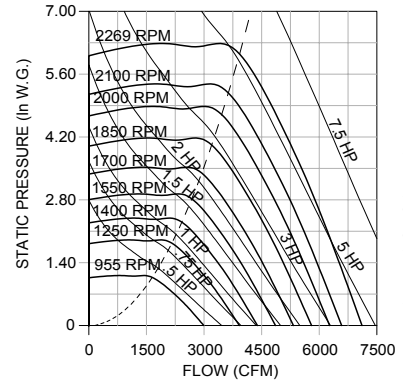
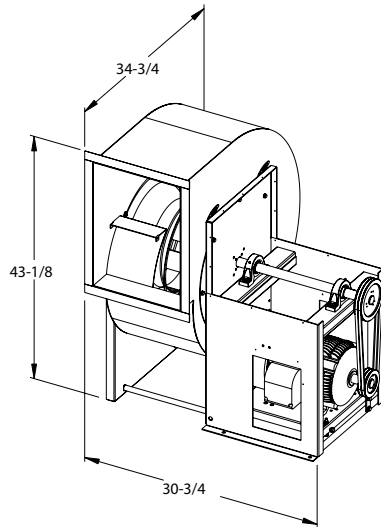
www.monoxivent.com

info@monoxivent.com

309-794-1000

Page: EF-20

Wheel Diameter - 18"
 Wheel Type - Flatblade
 Tip Speed (FPM) = 4.71 x RPM
 Max. BHP = .43 x (RPM/1000)³
 Inlet Area - 2.03 Sq. Ft.
 Outlet Area - 1.88 Sq. Ft.
 Outlet Velocity (FPM) = CFM/1.88
 Max. Mtr. Frame Size - 215T, Arr. 10
 Approx. Ship Wt.
 BI-180 - 396 lbs.



CFM	OV	1.000 SP		1.250 SP		1.500 SP		1.750 SP		2.000 SP		2.500 SP		3.000 SP		3.500 SP		4.000 SP		4.500 SP		5.000 SP	
		RPM	BHP	RPM	BHP	RPM	BHP	RPM	BHP	RPM	BHP	RPM	BHP	RPM	BHP	RPM	BHP	RPM	BHP	RPM	BHP	RPM	BHP
1800	957	955	0.39	1034	0.49																		
2100	1117	1015	0.48	1084	0.58	1152	0.68																
2400	1276	1080	0.57	1145	0.68	1207	0.80	1267	0.92	1326	1.04												
2700	1436	1150	0.69	1211	0.81	1270	0.93	1326	1.06	1380	1.19	1485	1.46										
3000	1595	1222	0.82	1281	0.95	1337	1.09	1390	1.22	1441	1.36	1540	1.65	1634	1.95	1728	2.28						
3300	1755	1298	0.98	1353	1.12	1406	1.26	1457	1.41	1507	1.56	1600	1.86	1689	2.18	1775	2.51	1861	2.86				
3600	1914	1378	1.16	1429	1.31	1479	1.46	1527	1.61	1575	1.78	1665	2.10	1750	2.44	1831	2.78	1911	3.14	1989	3.51	2068	3.91
3900	2074	1458	1.36	1507	1.52	1554	1.68	1600	1.85	1645	2.02	1732	2.36	1814	2.72	1892	3.08	1968	3.45	2042	3.84	2114	4.24
4200	2234	1541	1.59	1587	1.76	1632	1.94	1675	2.11	1718	2.29	1801	2.65	1881	3.03	1957	3.41	2029	3.80	2100	4.20	2169	4.61
4500	2393	1626	1.85	1669	2.03	1711	2.21	1753	2.40	1794	2.59	1873	2.97	1949	3.36	2023	3.77	2094	4.18	2162	4.60	2228	5.02
4800	2553	1712	2.13	1753	2.33	1793	2.53	1832	2.72	1871	2.92	1947	3.33	2021	3.74	2092	4.16	2160	4.58	2227	5.03		
5100	2712	1799	2.45	1838	2.66	1876	2.87	1913	3.07	1951	3.29	2023	3.71	2094	4.15	2162	4.58	2229	5.03				
5400	2872	1886	2.80	1923	3.02	1960	3.24	1996	3.46	2032	3.69	2101	4.13	2168	4.58	2235	5.05						
5700	3032	1974	3.18	2010	3.42	2045	3.65	2080	3.89	2114	4.12	2180	4.59	2245	5.06								
6000	3191	2063	3.61	2097	3.85	2131	4.10	2164	4.35	2197	4.59	2261	5.09										
6300	3351	2152	4.06	2186	4.33	2218	4.59	2250	4.85														
6600	3510	2242	4.57																				