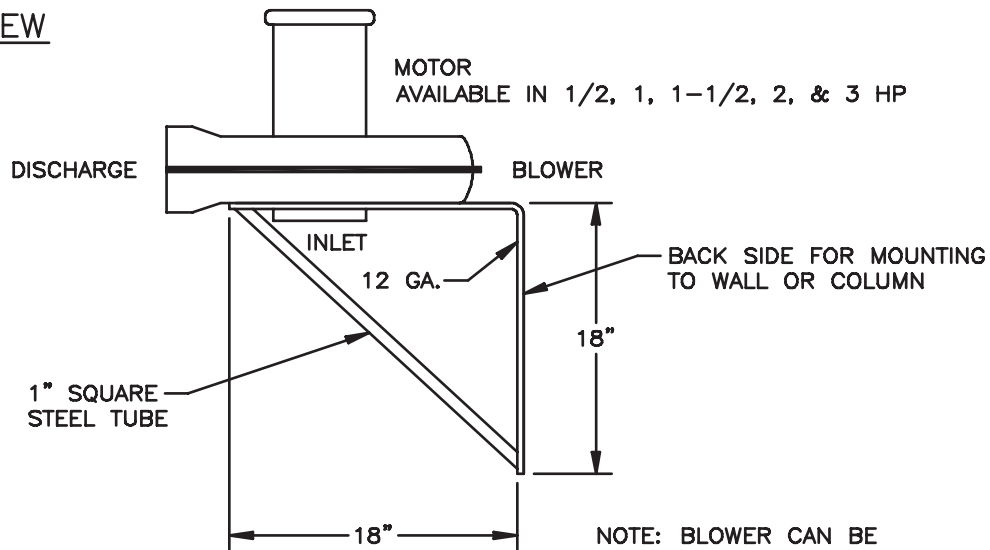
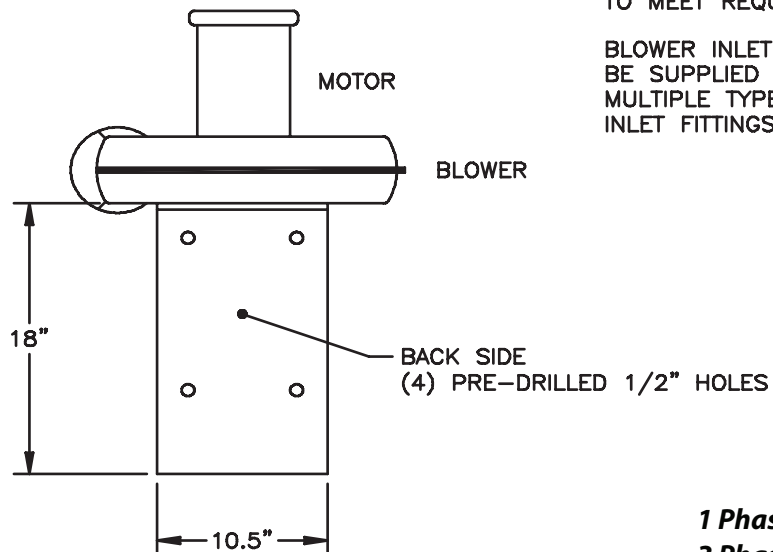


SIDE VIEW



BACK VIEW



NOTE: Blower can be rotated (360 degrees) in 90 degree increments, allowing discharge to meet requirements.

NOTE: Blower inlet can be supplied with multiple inlet fittings.

\* Please contact factory with your given application.