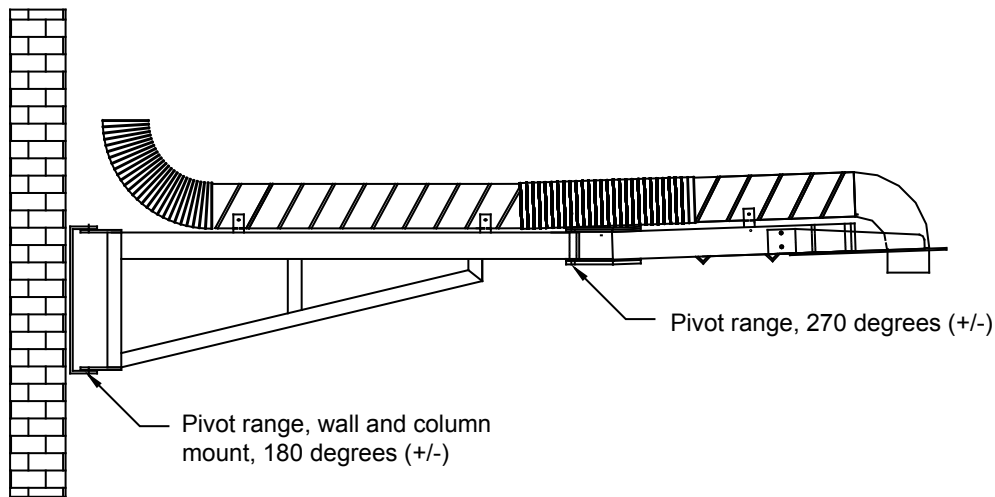
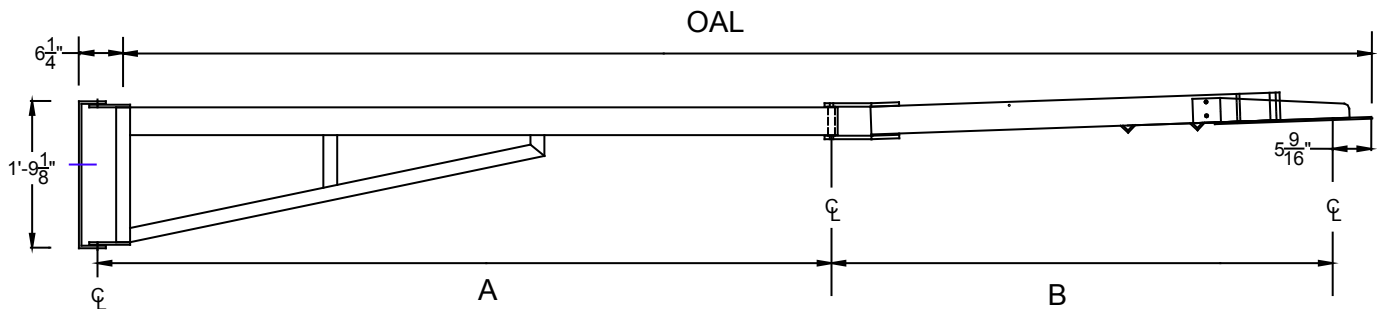


PIVOTING ARTICULATED CRANE

SERIES - PAC



MODEL	A	B	OAL
PAC-10	6'	4'	10'
PAC-15	9'	6'	15'
PAC-20	11'	9'	20'



Drawings depicts PAC (Pivoting Articulated Crane) arm only. Drawing shows lengths and range of movement

Other catalog pages display accessories to mount to the PAC.