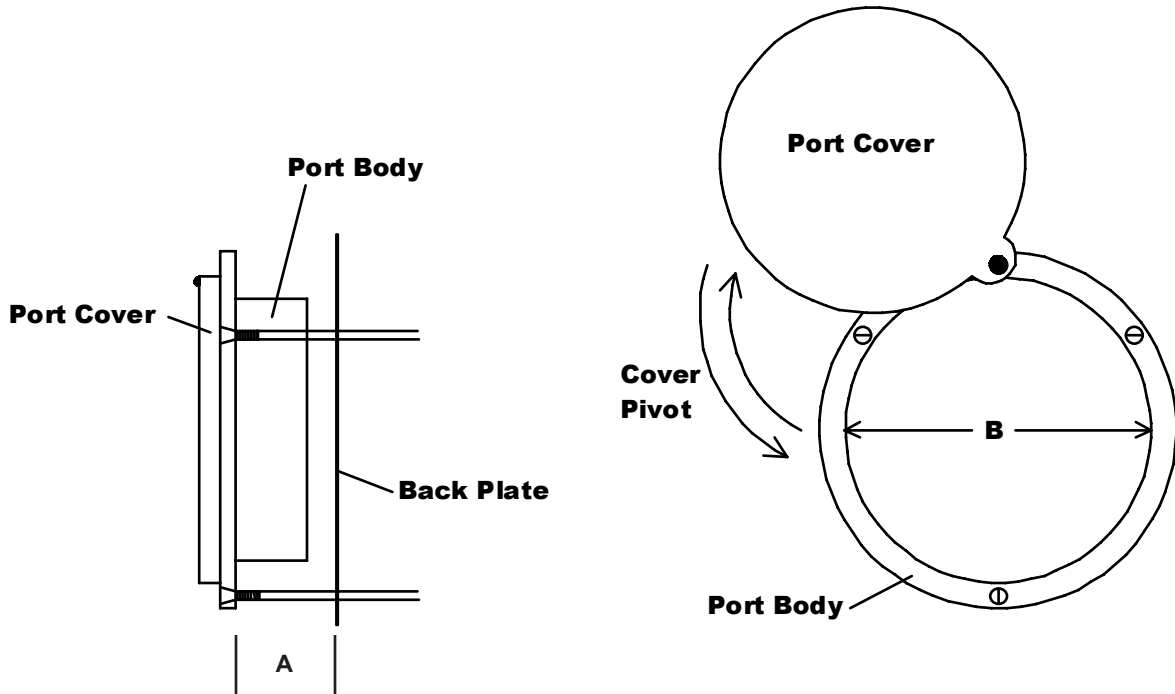


**DOOR/WALL PORT**



CONSTRUCTION: CAST ALUMINUM OR STEEL

- A** - Doors and walls may vary in thickness. Specify the required thickness for the door or wall. Dimension A will be manufactured to the correct thickness for installation. Standard pricing in place up to 1 3/4" thickness, additional cost incurred for thicker doors/walls.
  
- B** - The port opening will be manufactured based upon the diameter and type hose that is to be supplied for the port. Standard port opening is for 2 1/2", 3", 4", 5", or 6" hose. Crushproof or metal interlock hose can be used with the ports.