



Belt Drive Backward
Incline Fans

SERIES BI - 210

**TECHNICAL
INFORMATION**

PROJECT: _____
 LOCATION: _____
 ARCHITECT: _____
 ENGINEER: _____
 SALES ENGINEER: _____
 DATE: _____

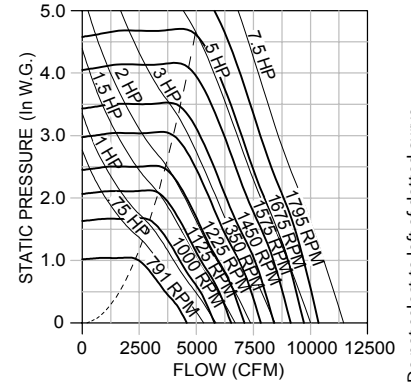
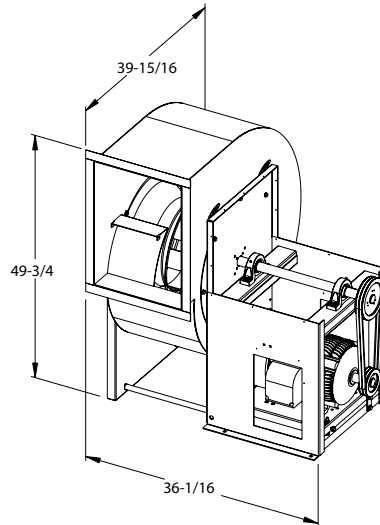
www.monoxivent.com

info@monoxivent.com

309-794-1000

Page: EF-22

Wheel Diameter - 21"
 Wheel Type - Flatblade
 Tip Speed (FPM) = 5.50 x RPM
 Max. BHP = 1.11 x (RPM/1000)³
 Inlet Area - 2.69 Sq. Ft.
 Outlet Area - 2.57 Sq. Ft.
 Outlet Velocity (FPM) = CFM/2.57
 Max. Mtr. Frame Size - 215T, Arr. 10
 Approx. Ship Wt.
 BI-210 - 490 lbs.



Do not select to left of dotted curve.

| CFM | OV | 1.000 SP | | 1.250 SP | | 1.500 SP | | 1.750 SP | | 2.000 SP | | 2.500 SP | | 3.000 SP | | 3.500 SP | | 4.000 SP | | 4.500 SP | | 5.000 SP | |
|------|------|----------|------|----------|------|----------|------|----------|------|----------|------|----------|------|----------|------|----------|------|----------|------|----------|------|----------|------|
| | | RPM | BHP | RPM | BHP | RPM | BHP | RPM | BHP | RPM | BHP | RPM | BHP | RPM | BHP | RPM | BHP | RPM | BHP | RPM | BHP | RPM | BHP |
| 2500 | 974 | 791 | 0.53 | | | | | | | | | | | | | | | | | | | | |
| 2950 | 1149 | 834 | 0.64 | 897 | 0.79 | 961 | 0.95 | | | | | | | | | | | | | | | | |
| 3400 | 1325 | 886 | 0.78 | 943 | 0.93 | 999 | 1.10 | 1054 | 1.27 | 1109 | 1.46 | | | | | | | | | | | | |
| 3850 | 1500 | 943 | 0.94 | 996 | 1.10 | 1047 | 1.28 | 1097 | 1.46 | 1146 | 1.65 | 1243 | 2.06 | | | | | | | | | | |
| 4300 | 1676 | 1003 | 1.12 | 1054 | 1.31 | 1101 | 1.49 | 1148 | 1.69 | 1193 | 1.89 | 1281 | 2.31 | 1368 | 2.76 | | | | | | | | |
| 4750 | 1851 | 1064 | 1.34 | 1113 | 1.53 | 1159 | 1.74 | 1203 | 1.94 | 1245 | 2.15 | 1327 | 2.59 | 1407 | 3.06 | 1486 | 3.56 | 1565 | 4.08 | | | | |
| 5200 | 2026 | 1125 | 1.58 | 1175 | 1.80 | 1219 | 2.02 | 1261 | 2.24 | 1301 | 2.46 | 1379 | 2.92 | 1454 | 3.41 | 1526 | 3.91 | 1599 | 4.46 | 1671 | 5.02 | | |
| 5650 | 2202 | 1185 | 1.84 | 1236 | 2.09 | 1280 | 2.33 | 1321 | 2.57 | 1361 | 2.81 | 1435 | 3.30 | 1505 | 3.80 | 1574 | 4.33 | 1641 | 4.88 | 1707 | 5.45 | 1774 | 6.05 |
| 6100 | 2377 | 1244 | 2.13 | 1296 | 2.41 | 1341 | 2.67 | 1383 | 2.94 | 1421 | 3.19 | 1492 | 3.71 | 1560 | 4.24 | 1626 | 4.79 | 1689 | 5.35 | 1752 | 5.95 | | |
| 6550 | 2553 | 1305 | 2.46 | 1355 | 2.76 | 1402 | 3.05 | 1444 | 3.34 | 1482 | 3.61 | 1552 | 4.16 | 1618 | 4.73 | 1680 | 5.29 | 1741 | 5.88 | | | | |
| 7000 | 2728 | 1369 | 2.82 | 1415 | 3.14 | 1461 | 3.45 | 1504 | 3.77 | 1543 | 4.07 | 1613 | 4.67 | 1677 | 5.26 | 1738 | 5.86 | | | | | | |
| 7450 | 2903 | 1435 | 3.23 | 1476 | 3.55 | 1521 | 3.90 | 1564 | 4.24 | 1603 | 4.56 | 1674 | 5.21 | 1737 | 5.83 | | | | | | | | |
| 7900 | 3079 | 1502 | 3.68 | 1541 | 4.02 | 1582 | 4.38 | 1623 | 4.74 | 1663 | 5.09 | 1735 | 5.79 | | | | | | | | | | |
| 8350 | 3254 | 1571 | 4.18 | 1607 | 4.54 | 1645 | 4.91 | 1683 | 5.27 | 1722 | 5.66 | | | | | | | | | | | | |
| 8800 | 3430 | 1642 | 4.74 | 1674 | 5.10 | 1708 | 5.47 | 1745 | 5.87 | 1783 | 6.27 | | | | | | | | | | | | |
| 9250 | 3605 | 1713 | 5.35 | 1744 | 5.73 | 1776 | 6.12 | | | | | | | | | | | | | | | | |