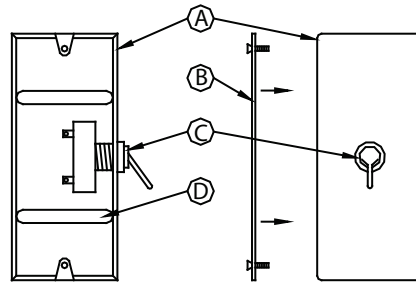


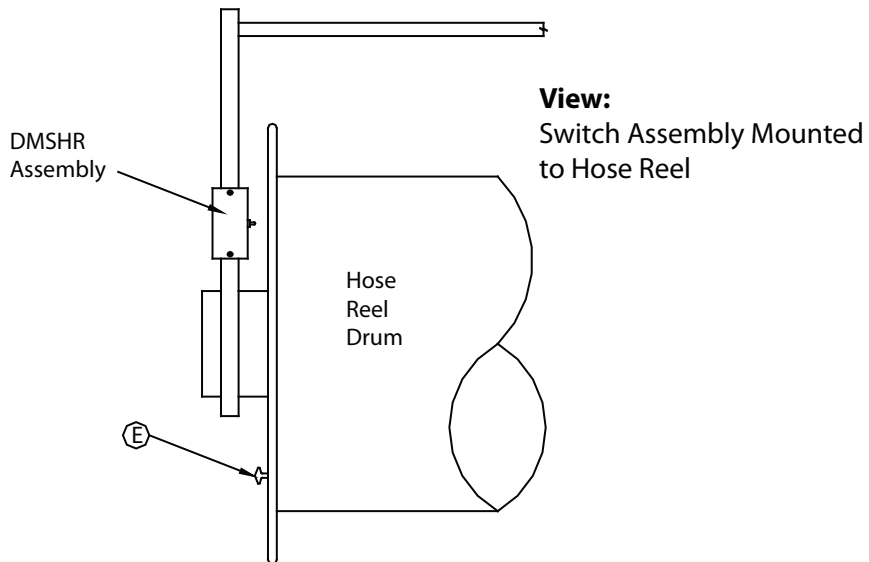
ON/OFF DMSHR SWITCH IS AN OPTION

FRONT - Inside View

SIDE View



ON/OFF DMSHR SWITCH ASSEMBLY MODEL # DMSHR



- A. Sealed Mounting Box**
- B. Box Cover Plate**
- C. On/Off Toggle Switch**
- D. (2) Slot Cuts for Adjustment of Box Depth**
- E. Buffer Pad for Activating the On/Off Toggle**