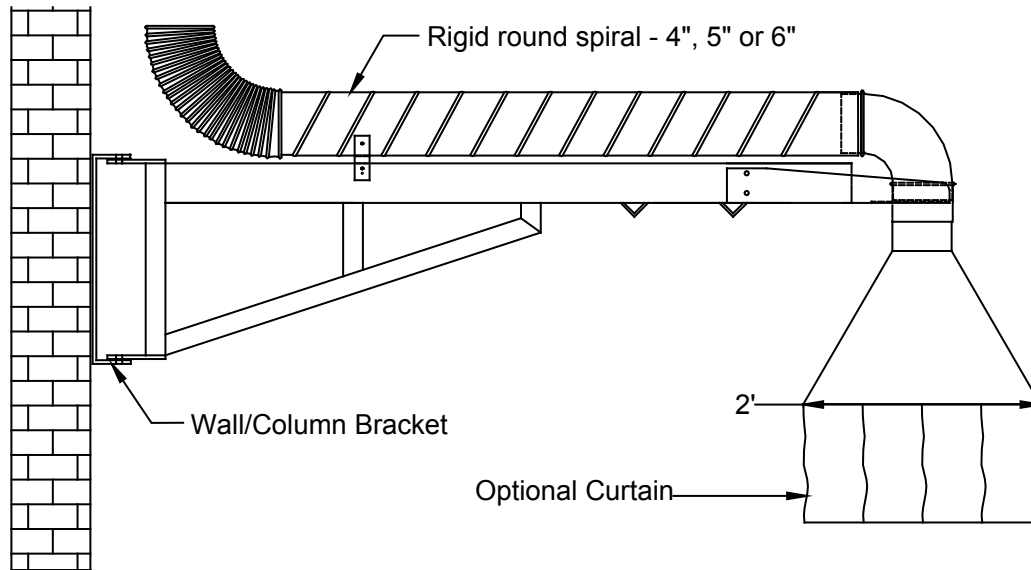


SWIVEL BOOM

The Swivel Boom is available in three lengths:
SB-7 (7'); SB-10 (10'); SB-13 (13')

Connecting hose to exhaust duct is available in
various material, diameter, lengths.

* Drawing shows the SB with the 24" round
aluminum hood attached. Other hood sizes are
available upon request. Contact the factory.

* The SB is constructed from 1 1/2" and 2"
heavy wall steel tube. The SB is finished with
an industrial grade powder coat paint.

* The SB system with the fixed hood is
designed for many applications. The hood can
be used to position over vehicle vertical
exhaust stacks, welding tables, air borne dust,
fumes and many other areas where air borne
hazards need to be controlled.

* The SB can be ducted into a central exhaust
system or each SB can have it's own fan.