



MX-2-8, Cartridge Collector,  
Front View, Anchor Bolt  
Pattern

### TECHNICAL INFORMATION

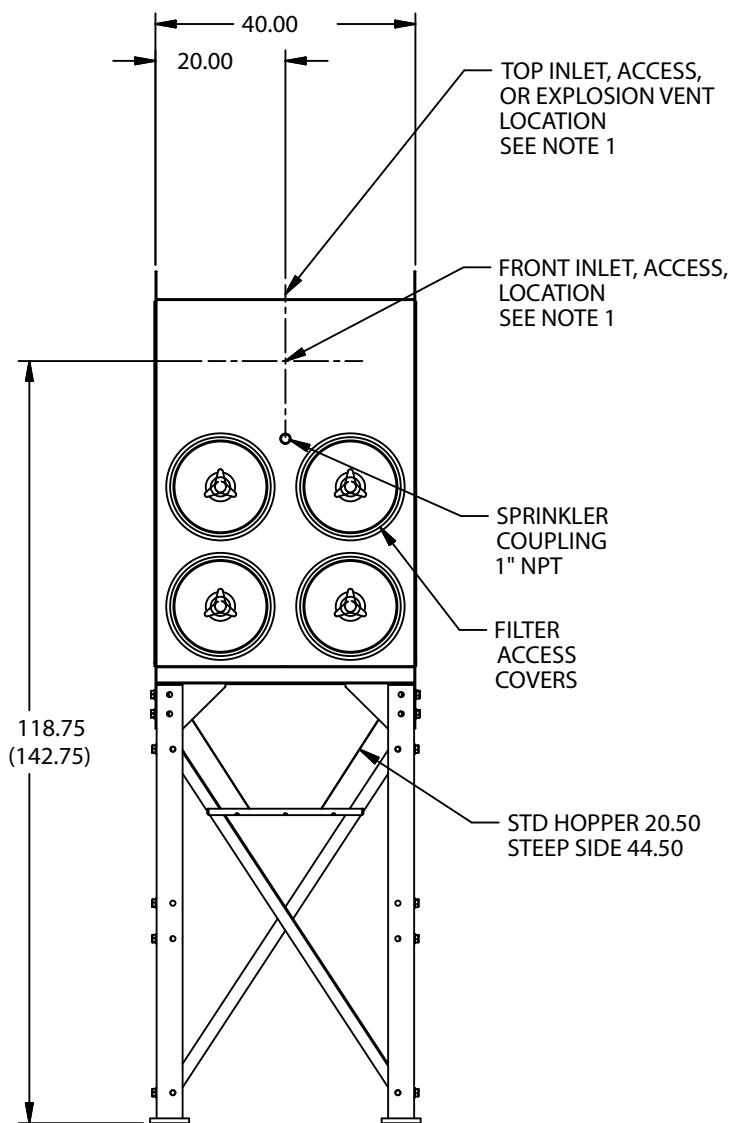
PROJECT: \_\_\_\_\_  
LOCATION: \_\_\_\_\_  
ARCHITECT: \_\_\_\_\_  
ENGINEER: \_\_\_\_\_  
SALES ENGINEER: \_\_\_\_\_  
DATE: \_\_\_\_\_

www.monoxivent.com

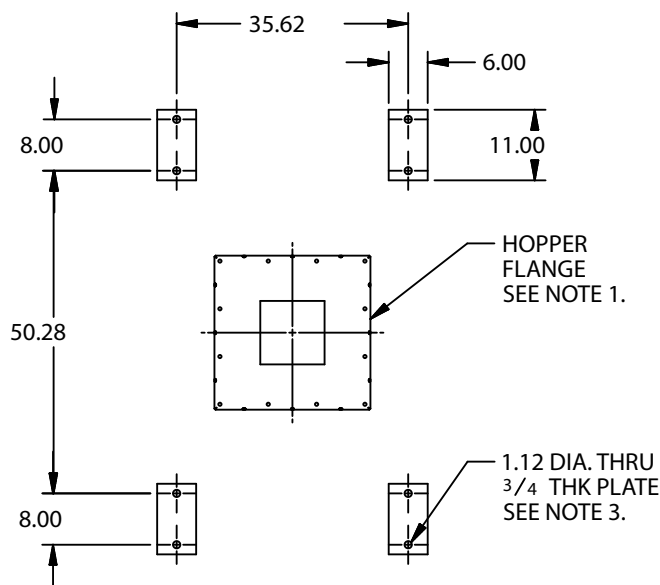
info@monoxivent.com

309-794-1000

Page: CF-23



FRONT VIEW



ANCHOR BOLT PLAN