



Belt Drive Backward
Incline Fans

SERIES BI - 245

**TECHNICAL
INFORMATION**

PROJECT: _____
 LOCATION: _____
 ARCHITECT: _____
 ENGINEER: _____
 SALES ENGINEER: _____
 DATE: _____

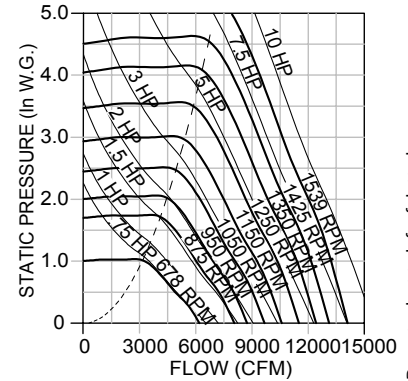
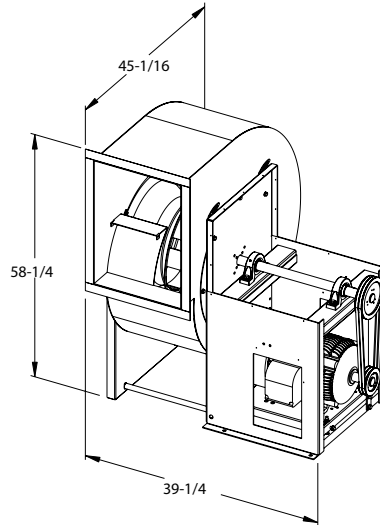
www.monoxivent.com

info@monoxivent.com

309-794-1000

Page: EF-24

Wheel Diameter - 24.5"
 Wheel Type - Flatblade
 Tip Speed (FPM) = 6.41 x RPM
 Max. BHP = 2.40 x (RPM/1000)³
 Inlet Area - 3.64 Sq. Ft.
 Outlet Area - 3.49 Sq. Ft.
 Outlet Velocity (FPM) = CFM/3.49
 Max. Mtr. Frame Size - 215T, Arr. 10
 Approx. Ship Wt.
 BI-245 - 608 lbs.



CFM	OV	1.000 SP		1.250 SP		1.500 SP		1.750 SP		2.000 SP		2.500 SP		3.000 SP		3.500 SP		4.000 SP		4.500 SP		5.000 SP	
		RPM	BHP	RPM	BHP	RPM	BHP	RPM	BHP	RPM	BHP	RPM	BHP	RPM	BHP	RPM	BHP	RPM	BHP	RPM	BHP	RPM	BHP
3400	973	678	0.73																				
4000	1145	714	0.87	769	1.07	823	1.29																
4600	1317	757	1.05	807	1.26	855	1.48	902	1.72	950	1.98												
5200	1489	805	1.26	851	1.49	895	1.72	938	1.97	980	2.23	1065	2.79										
5800	1661	855	1.50	899	1.75	940	2.00	980	2.26	1019	2.54	1095	3.11	1171	3.73								
6400	1833	907	1.79	949	2.05	989	2.33	1026	2.60	1063	2.89	1134	3.49	1203	4.13	1271	4.80	1340	5.51				
7000	2005	958	2.10	1000	2.40	1039	2.70	1075	2.99	1110	3.30	1177	3.92	1241	4.58	1304	5.27	1366	5.99	1429	6.75		
7600	2176	1008	2.45	1052	2.79	1090	3.11	1125	3.42	1159	3.75	1223	4.41	1284	5.09	1343	5.80	1401	6.54	1459	7.32	1516	8.13
8200	2348	1058	2.83	1102	3.20	1141	3.56	1177	3.91	1209	4.25	1271	4.95	1330	5.67	1386	6.41	1441	7.17	1495	7.97		
8800	2520	1109	3.26	1152	3.66	1192	4.05	1228	4.43	1261	4.81	1321	5.55	1378	6.31	1432	7.08	1484	7.86	1536	8.69		
9400	2692	1162	3.73	1202	4.15	1242	4.58	1279	5.00	1312	5.41	1372	6.20	1427	6.99	1479	7.80	1530	8.63				
10000	2864	1217	4.26	1254	4.70	1292	5.16	1329	5.61	1363	6.06	1423	6.91	1478	7.76	1529	8.61						
10600	3036	1272	4.84	1307	5.31	1343	5.79	1379	6.27	1413	6.75	1475	7.68	1529	8.58								
11200	3208	1331	5.50	1362	5.97	1395	6.47	1429	6.97	1463	7.49	1526	8.50										
11800	3379	1389	6.21	1418	6.70	1449	7.22	1481	7.75	1513	8.28												
12400	3551	1450	7.02	1476	7.51	1504	8.04	1534	8.58														
13000	3723	1509	7.86	1534	8.38																		