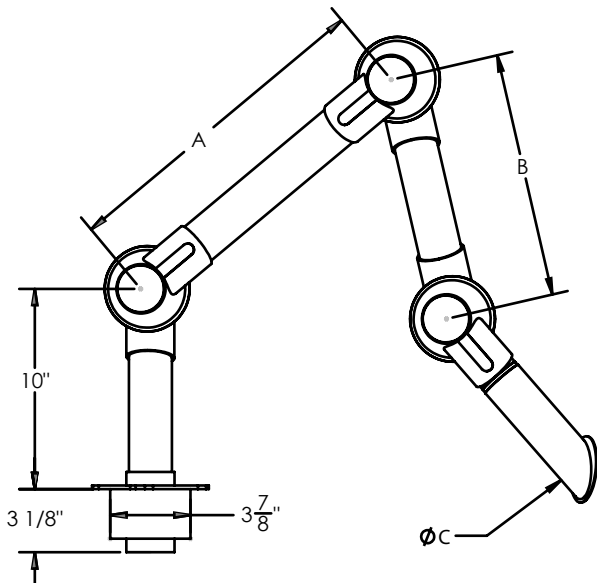
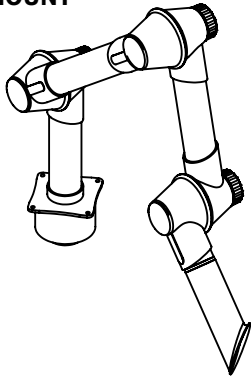
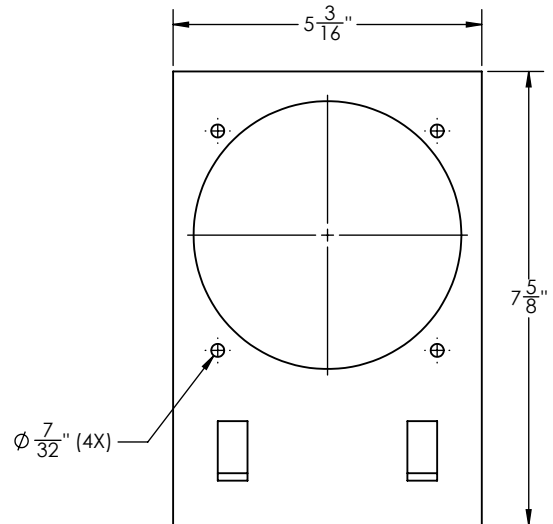


**MONOXIVENT
MNX Mini/Lab Arm, Table Mounting**

**TABLE MOUNT
ARM**



OPTIONAL TABLE BRACKET



Model #	A	B	C	Max. Radius
MNX-1000-50-T	16"	12"	2"	40"
MNX-1300-50-T	22"	18"	2"	51"
MNX-1500-50-T	30"	18"	2"	60"
MNX-1000-75-T	16"	12"	3"	40"
MNX-1300-75-T	22"	18"	3"	51"
MNX-1500-75-T	30"	18"	3"	60"

* Also available as 2-joint arm, consult factory.