



Belt Drive Backward
Incline Fans

SERIES BI - 300

**TECHNICAL
INFORMATION**

PROJECT: _____
 LOCATION: _____
 ARCHITECT: _____
 ENGINEER: _____
 SALES ENGINEER: _____
 DATE: _____

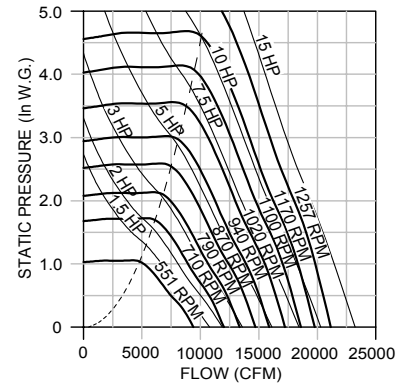
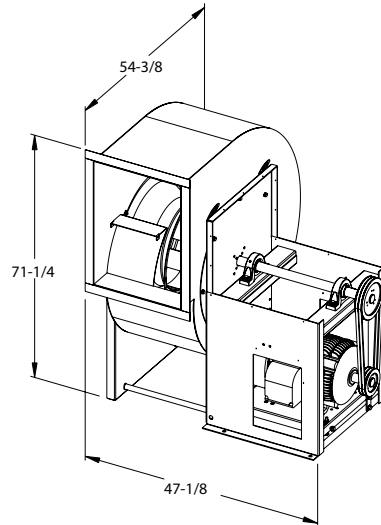
www.monoxivent.com

info@monoxivent.com

309-794-1000

Page: EF-26

Wheel Diameter - 30"
 Wheel Type - Flatblade
 Tip Speed (FPM) = 7.85 x RPM
 Max. BHP = 6.60 x (RPM/1000)³
 Inlet Area - 5.36 Sq. Ft.
 Outlet Area - 5.23 Sq. Ft.
 Outlet Velocity (FPM) = CFM/5.23
 Max. Mtr. Frame Size - 256T, Arr. 10
 Approx. Ship Wt.
 BI-300 - 879 lbs.



CFM	OV	1.000 SP		1.250 SP		1.500 SP		1.750 SP		2.000 SP		2.500 SP		3.000 SP		3.500 SP		4.000 SP		4.500 SP		5.000 SP	
		RPM	BHP	RPM	BHP	RPM	BHP	RPM	BHP	RPM	BHP	RPM	BHP	RPM	BHP	RPM	BHP	RPM	BHP	RPM	BHP	RPM	BHP
5000	956	551	1.07																				
5750	1100	574	1.24	621	1.54																		
6500	1243	602	1.44	644	1.75	685	2.08	727	2.44														
7250	1387	633	1.68	672	2.01	710	2.36	747	2.72	784	3.10												
8000	1530	667	1.97	704	2.32	739	2.67	774	3.06	807	3.44	874	4.28										
8750	1674	701	2.28	736	2.64	770	3.03	803	3.43	834	3.83	896	4.69	957	5.62								
9500	1817	736	2.63	771	3.03	803	3.44	834	3.85	864	4.28	922	5.16	979	6.12	1035	7.12						
10250	1961	771	3.02	805	3.45	837	3.88	867	4.32	896	4.77	951	5.70	1004	6.66	1057	7.70	1109	8.77	1162	9.93		
11000	2104	805	3.44	840	3.91	872	4.38	901	4.85	929	5.32	982	6.28	1033	7.29	1082	8.33	1131	9.43	1180	10.60	1229	11.80
11750	2248	839	3.89	875	4.41	907	4.92	935	5.41	962	5.90	1014	6.92	1063	7.97	1110	9.04	1157	10.2	1203	11.40	1248	12.60
12500	2391	873	4.38	909	4.95	941	5.49	970	6.02	997	6.55	1047	7.61	1095	8.72	1140	9.82	1185	11.00	1228	12.20		
13250	2535	908	4.92	943	5.52	976	6.12	1005	6.69	1032	7.26	1081	8.37	1127	9.50	1171	10.70	1214	11.90				
14000	2678	944	5.51	978	6.16	1010	6.79	1040	7.41	1067	8.01	1116	9.19	1161	10.40	1204	11.60	1245	12.80				
14750	2822	981	6.16	1013	6.83	1044	7.49	1074	8.16	1102	8.82	1151	10.1	1195	11.30	1237	12.60						
15500	2965	1019	6.87	1048	7.55	1078	8.24	1108	8.96	1136	9.65	1186	11.00	1230	12.30								
16250	3109	1058	7.64	1085	8.34	1114	9.08	1142	9.81	1170	10.50	1221	12.00										
17000	3252	1098	8.49	1123	9.21	1149	9.94	1177	10.70	1204	11.50												
17750	3396	1138	9.40	1161	10.10	1186	10.90	1212	11.70	1238	12.50												
18500	3539	1179	10.4	1201	11.20	1224	11.90	1248	12.70														