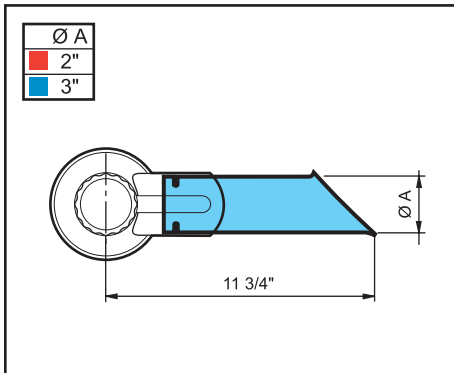


MNX-SCN



SUCTION NOZZLE

Used for work in highly corrosive environments.
You can get close to the source of pollution
without obscuring the vision of the workpiece.

Part		
Standard	ESD	PP
MNX-SCN-50	ESD	PP
MNX-SCN-75	ESD	PP

Material

Standard ... Aluminum
ESD Aluminum
PP Polypropylene
Temp. range 5°F to 175°F
Weight 4 and 5 oz

