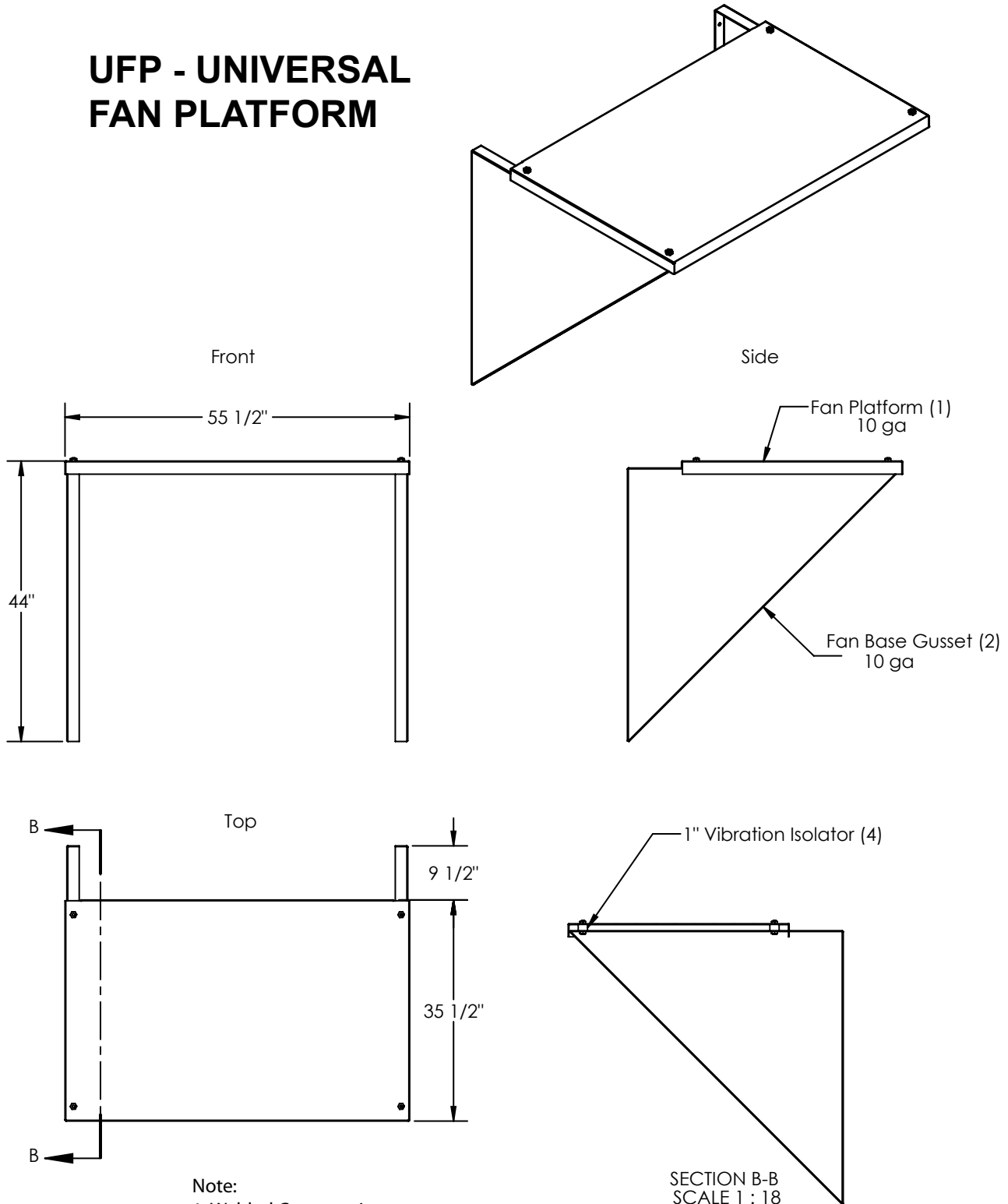


UFP - UNIVERSAL FAN PLATFORM



Note:
1. Welded Construction
2. Black Powder Coat Paint Finish

SECTION B-B
SCALE 1 : 18