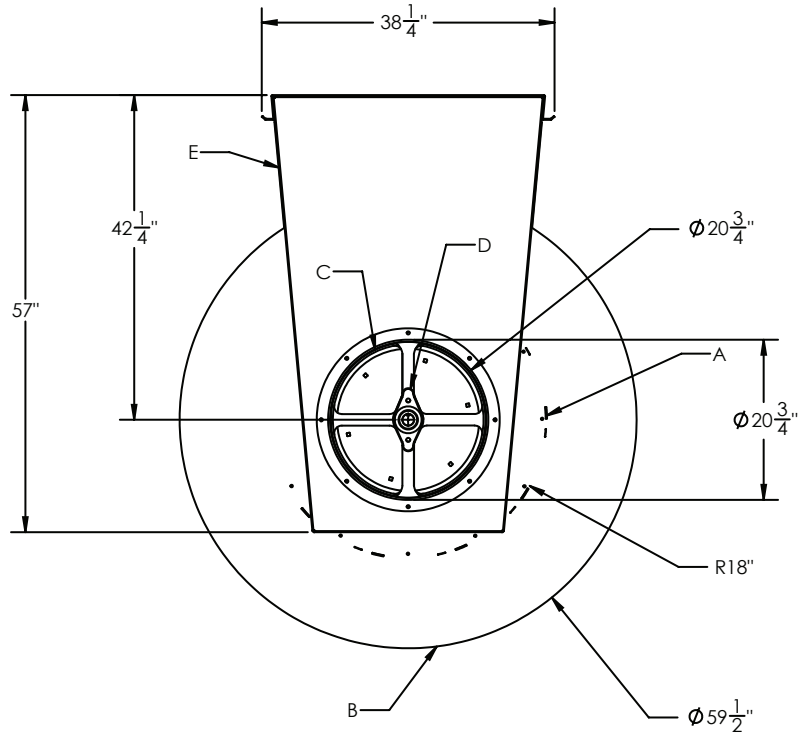


**XL Series Hose Reels - Oversized • 36" Drum SIDE VIEW for Models XL-36-5, XL-36-7**



ID/Description

- A. 16-Gauge Drum
  - B. 12-Gauge Drum Ends
  - C. 10-Gauge End Frame
  - D. Inner, Outer Ring
  - E. Inlet Drum Bearing
- Spark Free Operation Available  
with Optional Bearings

NOTES:

- \* Operator - Standard: 3/4 HP 115/230/1 or Optional: 3/4 HP 230/460/3 Chain Driven ODP Motor Assembly, 2-Button Up/Down Switch, and Internal Automatic Reset Thermal Overload
- \* Optional: Explosion Proof Motor Drive with Push Button Control
- \* Hose Reel shall be powder-coated Red (optional stainless steel construction)
- \* Contact Factory for Flex Hose Options