



Slotted Fume Hoods
Series SFH

**TECHNICAL
INFORMATION**

PROJECT: _____
 LOCATION: _____
 ARCHITECT: _____
 ENGINEER: _____
 SALES ENGINEER: _____
 DATE: _____

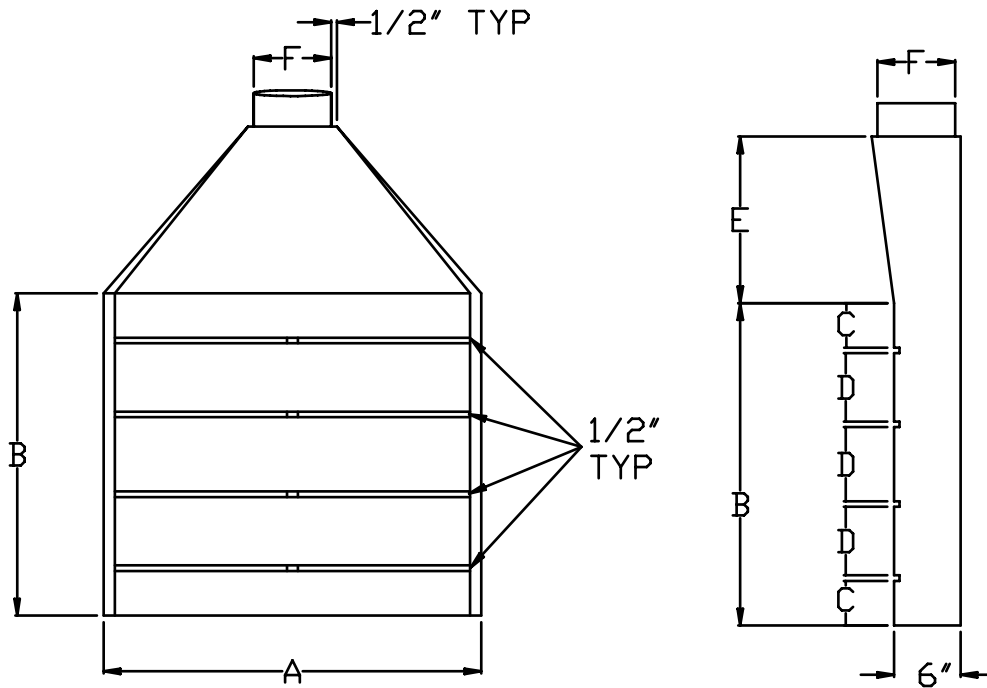
www.monoxivent.com

info@monoxivent.com

309-794-1000

Page: WSC-28

SLOTTED FUME HOODS
SERIES - SFH



<u>Model</u>	<u>A</u>	<u>B</u>	<u>C</u>	<u>D</u>	<u>E</u>	<u>F</u>	<u>CFM Guidelines</u>	<u>P.D.</u>
SFH-34	34"	29"	3 3/8"	6 3/4"	15"	7"	1050	.67"
SFH-46	46"	33"	4 1/8"	8 1/4"	21"	8"	1400	.70"
SFH-58	58"	36"	4 1/2"	9"	27"	8"	1750	.82"

Notes:

Slotted Hood Depth - 6" for all models - Construction is 18-gauge Welded Paint Grip
 Slotted Hood Performance is based on 23rd Edition - Industrial Ventilation Guidelines
 Pressure drop calculations based on recommended CFM
 Pressure drop will vary if alternate CFM is used

Custom side skirts and/or adjustable slots available, please consult factory