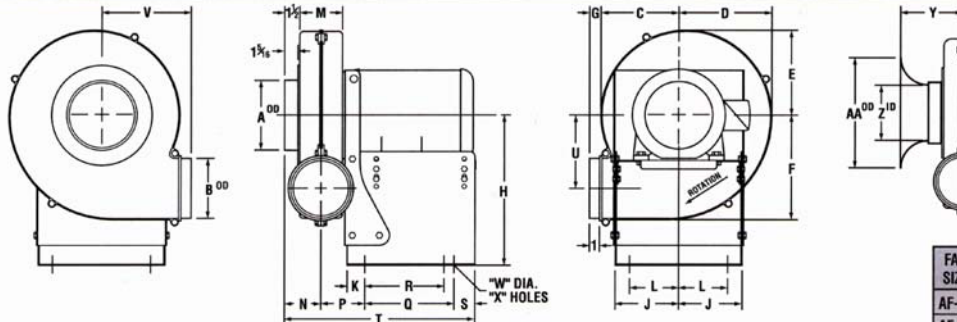


The AX • Fan Dimension Drawing

ARR'T 4 STEEL BASE



NOTES:

- ① AF-15 with 182T/184-T frame motor is not available in DB discharge
- ② AF-15, Add 7/8" to dimensions "P" & "T" for DB discharge (213T, 215T, 254T, 284TS, 286TS only)
- ③ AF-15 not available with 56 or 56C frame motors
- ④ For flange details, see drawing AFA11421F
- ⑤ Motor base is field adjustable to accept motor frames as shown
- ⑥ All sizes "DB" discharge only available less outlet flange

FAN SIZE	INLET DIA.	INLET BELL		
		Y	Z	AA
AF-10	6	6 3/8	5 1/2	11
AF-12	7	6 5/8	6 1/2	13
AF-15	7	7 3/4	6 1/2	13
AF-15	8	8 1/4	7 1/2	15
AF-15	10	9 1/4	9 1/2	19

ALL DIMENSIONS SHOWN IN INCHES

FAN SIZE	MOTOR FRAME SIZE	INLET DIA. A	OUTLET DIA. B	C	D	E	F	G	H	J	K	L	M	N	P	Q	R	S	T	U	V	W	X	NET WTS. NO MOTOR LBS.
AF-10	56, 143T, 145T, 56C, 143TC, 145TC, 182T	6	5	6 1/8	8 3/8	7 1/2	9	1 1/8	11 1/2	5	1 1/8	4	3 3/4	3 3/4	3 3/4	8	7	1 3/8	15 3/8	6 3/4	7 3/8	1/2	6	39
AF-12	56, 143T, 145T, 56C, 143TC, 145TC, 182T, 184T	7	6	7 3/4	9 1/4	8 1/2	10 3/8	1 1/8	11 1/2	5	1 1/8	4	4 1/4	3 3/4	3 3/4	8	7	1 3/8	15 3/8	7 3/8	8 3/8	1/2	6	46
AF-12	213T, 215T	7	6	7 3/4	9 1/4	8 1/2	10 3/8	1 1/8	11 1/2	6 3/8	1 1/8	4 1/4	4 1/4	3 3/4	4 1/8	8	-	2 1/8	18 3/8	7 3/8	8 3/8	3/8	4	46
AF-15	143T, 145T, 182T, 184T, 213T, 215T	7																						
		8	8	9 1/8	11	10	12	1 1/8	15	6 3/8	1 3/4	4 1/8	5 1/8	4 1/8	5 1/8	8 1/8	-	2 1/8	20 1/2	7 1/8	10 3/8	3/8	4	79
		10																						
AF-15	254T, 256T, 284TS, 286TS	7																						
		8	8	9 1/8	11	10	12	1 1/8	15	7	1 3/4	4 1/8	5 1/8	4 1/8	5 1/8	16 1/4	-	2	27 3/8	7 1/8	10 3/8	1/8	4	121
		10																						

MOTORS	FRAME SIZE	WT. LBS.
	56C	24
	143T	32
	145T	40
	182T	58
	184T	70
	213T	100
	215T	130
	254T	240
	256T	300
	284TS	403
	286TS	420