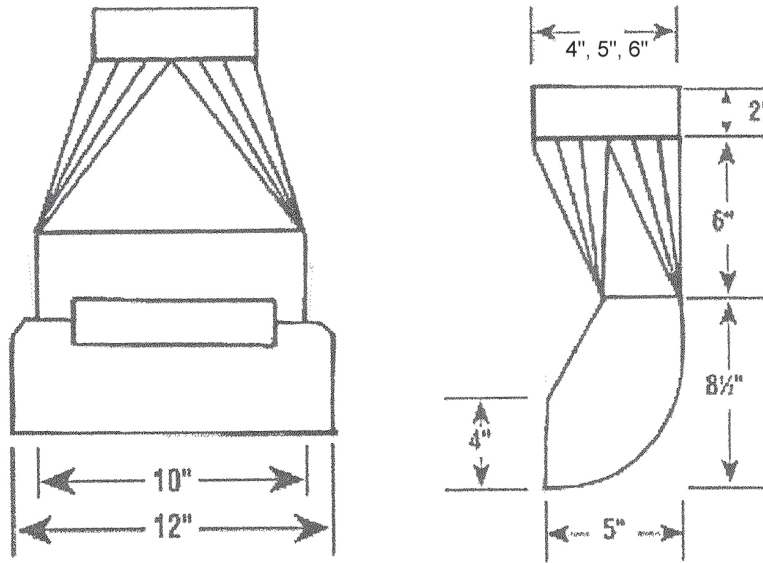


FLOOR SWEEPS - 4", 5", 6"



Floor sweeps are manufactured from 20-gauge galvanized steel for strength and rigidity. A continuous piano hinge connects the door to the fitting. Available in 4", 5", or 6" models. Other sizes - fabrication available, please consult factory.

- Provided with kick open door