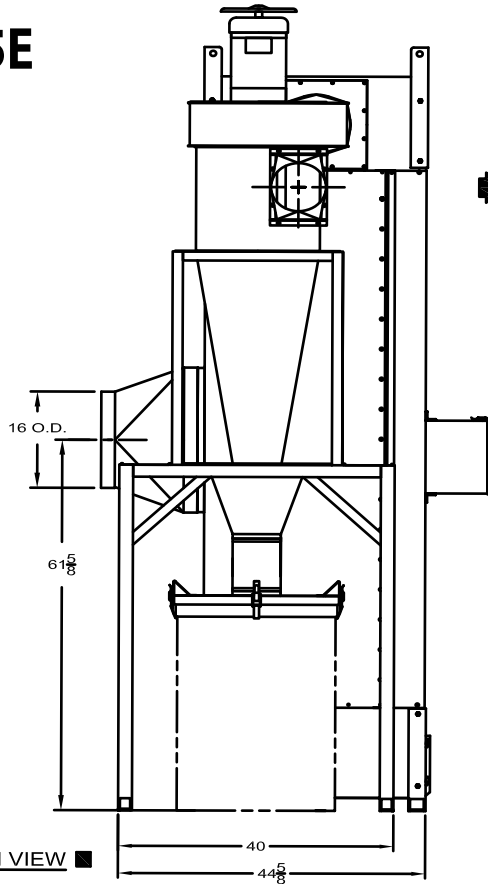
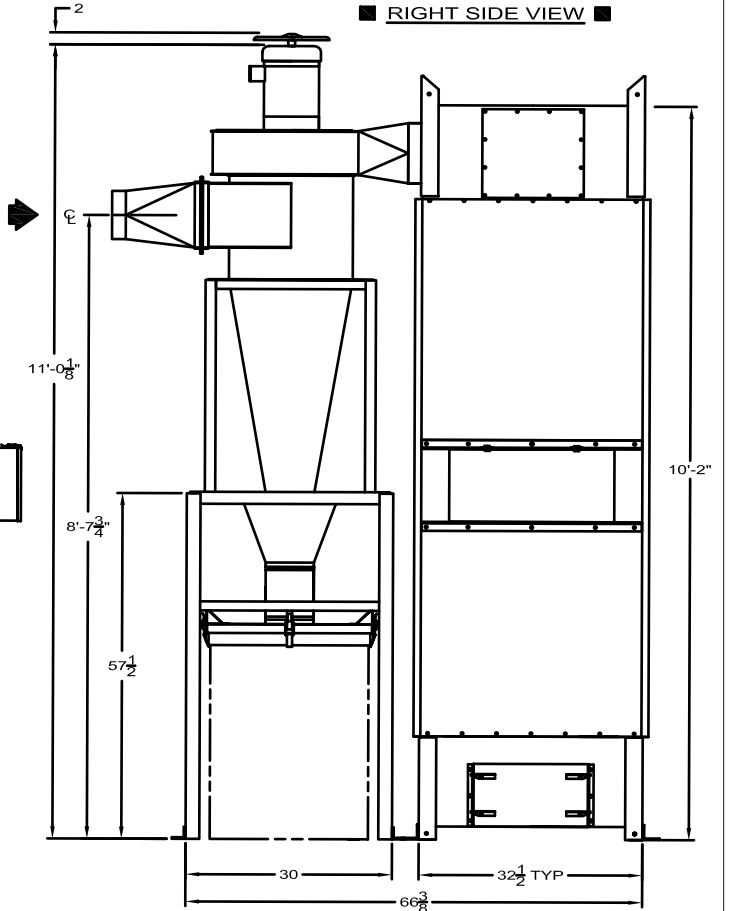


**MNX-20SN51  
with FT25E**

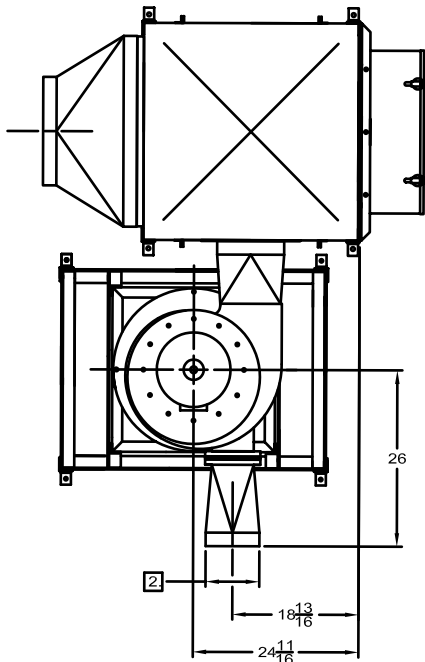
■ INLET VIEW ■



■ RIGHT SIDE VIEW ■



■ PLAN VIEW ■



- 4. FILTER AREA - 229 SQ. FT.
- 3. REFER TO INDIVIDUAL UNIT PRINTS FOR PARTS AND DETAILS
- 2. OPTIONAL INLET SIZES - 8", 9", OR 10" I.D.
- 1. CUSTOMER TO SUPPLY A 55 GALLON DRUM FOR DUST STORAGE (7.3 CU.FT. STORAGE CAPACITY)

■ NOTE ■